

PORODO
LIFESTYLE



Porodo Lifestyle

DUAL BURNER FOLDABLE CAMPING STOVE

SKU: PDYG002KH

Table of Contents

Product Overview	2
Specifications	2
Safety Precautions	3
Ignition Instructions	4
Installation Guide	4
Disposal	6
Warranty	6
Contact Us	6

Product Overview

The Porodo Lifestyle Dual Burner Foldable Camping Stove offers a reliable cooking solution for outdoor enthusiasts. Designed with dual burners, it provides optimal cooking efficiency, allowing you to prepare meals with precision flame control. The stove heats up quickly, ensuring you spend less time waiting and more time enjoying your adventure. Its compact and foldable design makes it easy to carry and store, while the instant electronic ignition system offers added convenience. Whether you're camping, picnicking, or grilling outdoors, this portable stove is the perfect companion for your cooking needs.

Specifications

Material	Iron Body with Powder Coating, Stainless Steel
Cooking Grid	4.5mm Stainless Steel
Gas Type	Propane-Air Mixture
Power Output	3500W×2
Thermal Load	2500W
Ignition Type	Push-Button Ignition
Product Size	33 x 36 x 47cm
Product Weight	4kg
Gas Consumption	250g/h
Model Number	PDYG002

Safety Precautions

1. Use only outdoors:

For optimal performance and safety, this appliance should only be used in outdoor environments where proper ventilation is available. Avoid using it indoors to prevent fire hazards or harmful gas buildup.

2. Keep away from children:

This appliance is not suitable for children's use. Ensure that children are kept away from the appliance while it is in operation to prevent burns, accidents, or injury.

3. Avoid touching the hot areas of the oven:

The exterior and internal components of the oven can become extremely hot during use. Always avoid touching the hot areas to prevent serious burns or injury. Use heat-resistant gloves or tools when handling.

4. Regularly check for air leaks:

Ensure that all seals and joints are intact and there are no air leaks in the appliance. Air leaks can reduce efficiency and pose safety risks. Perform routine checks to ensure it operates safely and efficiently.

5. Do not use in strong winds:

Strong winds can affect the performance of the appliance and may lead to instability or accidents. Always use the appliance in sheltered areas where wind conditions are controlled or minimal.

6. Clean the furnace after it has cooled down:

After each use, allow the furnace to cool completely before cleaning. This ensures safe handling and avoids burns. Regular cleaning helps maintain the appliance's performance and longevity.

7. Avoid dry burning:

Never allow the appliance to run without proper material or load inside, as this can cause excessive heat buildup and damage the unit. Always ensure there is a proper load or fuel before turning the appliance on.

8. Do not plug the stove head:

Never plug the stove head into a power source until all connections and installations are properly completed. An incorrect connection can lead to hazards such as electric shock or malfunction.

9. Monitor the appliance:

Always ensure that an individual is present and monitoring the appliance during operation. Never leave the appliance unattended when in use to avoid accidents or fires.

Ignition Instructions

1. Ensure that all interfaces are securely connected:

Before igniting the appliance, double-check that all interfaces and connections are securely in place. Loose connections can lead to leaks or ignition failures.

2. Ensure gas flow:

Verify that the gas supply is properly connected and the flow is unobstructed. Insufficient gas flow can prevent ignition or cause an uneven flame.

3. Adjust the fire counterclockwise:

To achieve the desired flame intensity, turn the fire adjustment knob counterclockwise. Ensure the flame is adjusted to a safe and optimal level.

4. Press the ignition switch to light the burner:

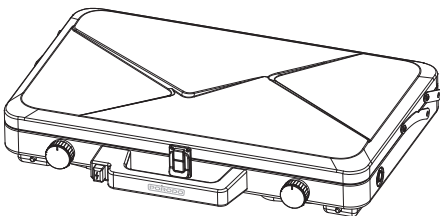
After adjusting the flame, press the ignition switch to ignite the burner. Follow the instructions for ignition carefully to ensure safe and effective lighting.

5. Ignition is best after two seconds of ventilation:

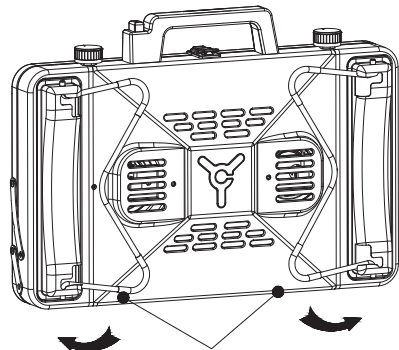
Always allow at least two seconds of ventilation before attempting ignition. This ensures that any gas buildup is cleared, reducing the risk of a dangerous flashback or explosion.

Installation Guide

1

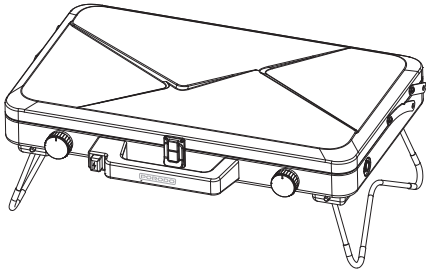


2

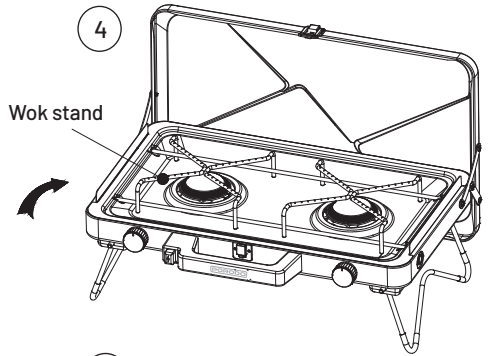


Open the legs outward

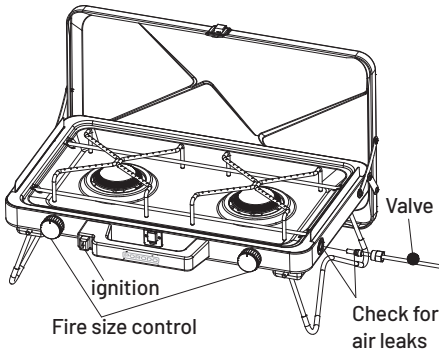
3



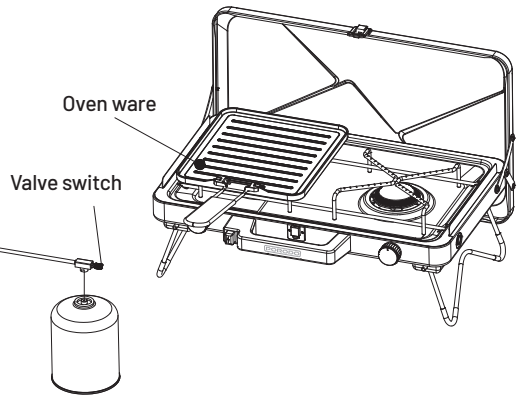
4



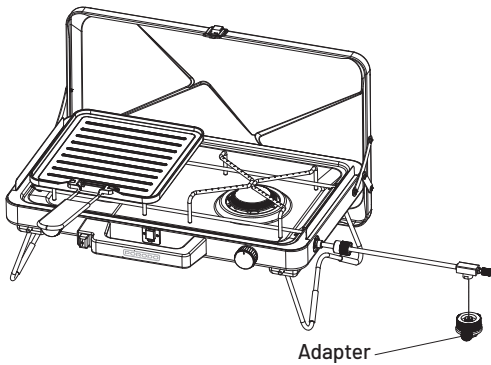
5



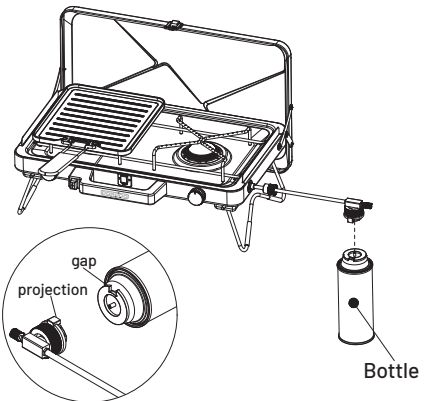
6



7



8



Insert the explosion-proof cylinder valve opening into the flange of the adapter and twist it clockwise.

Disposal

This product must not be disposed of as unsorted household waste. It is important to separate such waste for proper treatment and recycling, in compliance with local waste management regulations.

Warranty

Products that you buy directly from our **Porodo** website or shop come with a 24-month warranty.

When you buy **Porodo** products from any of our approved sellers, you only get a 12-month warranty. If you want to extend this warranty, go to our website at <https://www.porodo.net/warranty> and fill out the form with your information. Don't forget to upload a picture of the product too. After we've checked and accepted your request, we'll send you an email to confirm that your product's warranty has been extended.

For more info, please check:

<https://www.porodo.net/warranty>

Contact Us

If you have any questions about this Privacy Policy, please contact us at:

info@porodo.net

Website: <https://www.porodo.net/>

Service Support: support@porodo.net

Instagram: [porodo](https://www.instagram.com/porodo)