

PORODO
LIFESTYLE



Porodo Lifestyle
COOL & HYDRATE
MINI FAN & HUMIDIFIER

SKU: PDHXF338WH

Table of Contents

Product Overview	2
Specifications	2
Product Components	3
Instructions for Use	4
Packing List	4
Safety Precautions	5
Disposal	6
Warranty	6
Contact Us	6

Product Overview

The Porodo Cool & Hydrate Mini Fan & Humidifier is a versatile device offering both cooling and humidifying functions. It features 100 adjustable speed levels, providing precise airflow control, and operates quietly due to advanced noise reduction. The fan has a 1L capacity and offers 2.5 hours of working time. It also boasts a digital LED display for easy monitoring, making it an ideal solution for staying comfortable and hydrated throughout the day. Perfect for use in any setting, it combines convenience with efficiency for enhanced air quality and comfort.

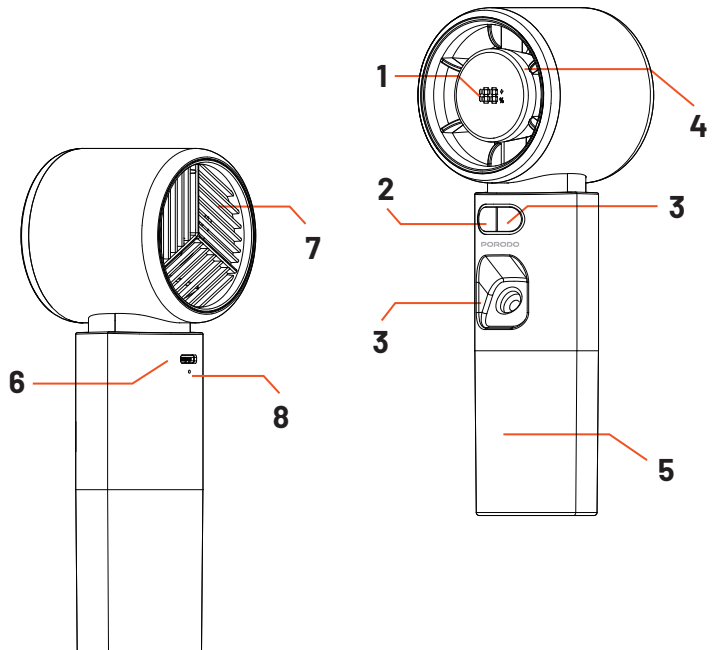
Specifications

Input	DC 5V/1A
Battery Capacity	2000mAh
Working Time	2~5H
Charging Time	3~4H
Charging Interface	USB-C

Rated Power	6W (Fan), 3W (Humidifier)
Product Size	57 × 58 × 168mm
Product Weight	173g
Model Number	PDHXF338

Product Components

1. Digital display
2. Wind power button
3. Cooling button
4. Mesh cover
5. Water tank
6. Charging interface
7. Rear housing
8. Indicator Light



Instructions for Use

A. Fan Switch

1. Short press to power on: default gear is "1". The battery level is displayed after 3 seconds, and the gear level will show after 5 seconds in a loop.
2. Short press again for second gear: "25" is displayed, followed by the battery level after 3 seconds, and the gear cycle after 5 seconds.
3. Short press to enter third gear: "50" is displayed, with the battery level after 3 seconds, followed by the gear cycle after 5 seconds.
4. Short press again for fourth gear: "75" is displayed, followed by the battery level after 3 seconds, and the gear cycle after 5 seconds.
5. Short press for fifth gear: "100" is displayed, with the battery level after 3 seconds, followed by the gear cycle after 5 seconds.
6. Click again to return to the first gear.
7. Long press to increase the gear by 100 increments (the corresponding gear will be shown on the display). When the gear is set to "100", long press to decrease.
8. Press and hold at gear 100 to decrease the gear (the corresponding gear will display on the screen).

B. Humidification Switch

1. Click to turn on/off.
2. When charging, the charging indicator light will flash, and it will stay on when fully charged.

Packing List

1. Small fan x1
2. Type-C x1

Safety Precautions

- 1.** Do not modify, disassemble, repair, or mend the product without proper authorization. Please contact the seller for aftersales service.
- 2.** This product is not intended for medical use.
- 3.** Avoid using the product in unstable environments, such as while hanging, on a slant, or in a vehicle.
- 4.** Ensure the safe use of the power adapter: do not bend, stretch, or place it in a high-temperature area. If the adapter is damaged, discontinue use.
- 5.** Do not use the power adapter in water or damp areas.
- 6.** Do not spray the product directly onto furniture, clothing, or walls.
- 7.** Keep the product away from electrical appliances, especially TVs, stereos, and microwaves.
- 8.** Do not move the product while it is in operation. Avoid touching it with wet hands.
- 9.** Keep the product out of reach of children. It is not suitable for use by children or individuals without the necessary knowledge of the product.



Disposal

This product must not be disposed of as unsorted household waste. It is important to separate such waste for proper treatment and recycling, in compliance with local waste management regulations.

Warranty

Products that you buy directly from our **Porodo** website or shop come with a 24-month warranty.

When you buy **Porodo** products from any of our approved sellers, you only get a 12-month warranty. If you want to extend this warranty, go to our website at <https://www.porodo.net/warranty> and fill out the form with your information. Don't forget to upload a picture of the product too. After we've checked and accepted your request, we'll send you an email to confirm that your product's warranty has been extended.

For more info, please check:
<https://www.porodo.net/warranty>

Contact Us

If you have any questions about this Privacy Policy, please contact us at:
info@porodo.net

Website: <https://www.porodo.net/>

Service Support: support@porodo.net

Instagram: [porodo](https://www.instagram.com/porodo)