

porodo



Porodo

**LifeStyle Rechargeable
One-Blade Trimmer 600mAh**

SKU: PD-LSROBT-BK

Table of Contents

Features.....	2
Specifications.....	2
Device Components.....	3
Powering The Device.....	3
Indicator Light Status.....	3
Overview of Device Operation.....	3
Installation Instructions.....	4
A. Installation of the Shaving Head.....	4
B. Comb Installation.....	4
Cleaning and Maintenance.....	5
Charging Instructions.....	6
Safety Precautions.....	7
Warning.....	8
Recycling Guidelines.....	8
Warranty.....	9
Contact Us.....	9

Before installing and using the product, please carefully read this User Manual to guarantee correct usage and keep it secure for future reference.

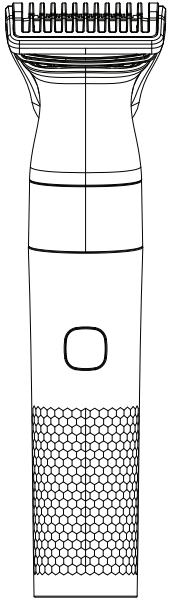
Features

- Full-Body Waterproof Rating: IPX7
- Constructed with a Stainless Steel Blade
- Equipped with a Rechargeable Lithium-ion Battery: 3.7V, 600mAh
- Operational Time: Approximately 90 minutes
- Charge Duration: Approximately 130 minutes
- Features Plug and Play Functionality
- Power Input Specification: 5V / 1A
- Compliance Certified: FCC, EMC, RoHS

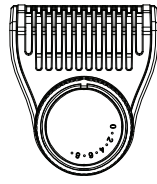
Specifications

Product Name	Rechargeable One-Blade Trimmer
SKU	PD-LSROBT-BK
Battery Type	Rechargeable Lithium Battery, 600mAh
Input AC	100V~240V (50Hz~60Hz)
Input	5V=1A
Charging Time	About 2h
Working Time	About 60min
Blade Material	Stainless Steel
Motor Speed	6000 rpm
Product Size	178.4×48×55.5mm
Weight	139gr
Guide Combs	1 adjustable guide comb with 5 lengths: 2,4,6,8 ,0mm

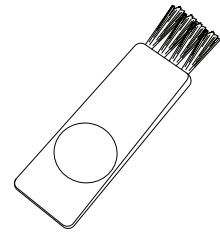
Device Components



1. Main Unit



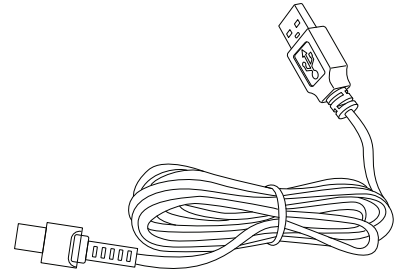
2. Guide Comb



4. Cleaning Brush



3. Lubricating Oil



5. USB Charging Cable

Powering The Device

To activate the device, press the power button [ON/OFF button], which initiates the oscillation of the cutting blade from side to side. To deactivate the device, press the power button once more, causing the blade to cease its oscillation.

Indicator Light Status

1. **Sufficient Power:** The green light is on.
2. **Low Power:** The red light is blinking.
3. **The Adapter's Over-limit Protection is ON:** The indicator blinks rapidly. This safety alert halts after 10 seconds.
4. **Adapter Insertion Indicator:** Blinking lights confirm the adapter is connected.

Overview of Device Operation

The blade assembly is designed to pivot, utilizing pressure against the skin to enhance contact during shaving (see Figure 1). Additionally, the assembly can oscillate vertically and move laterally to maintain consistent contact with the skin, ensuring a closer shave (see Figure 2).

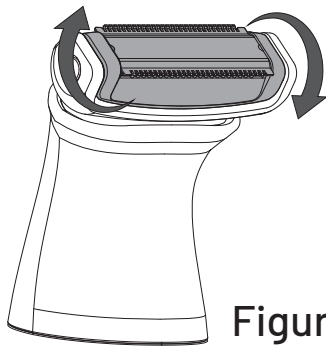


Figure 1

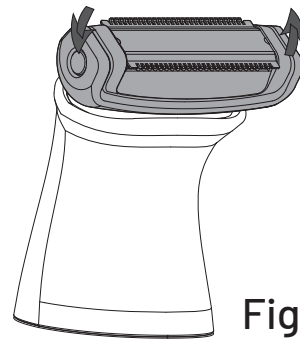


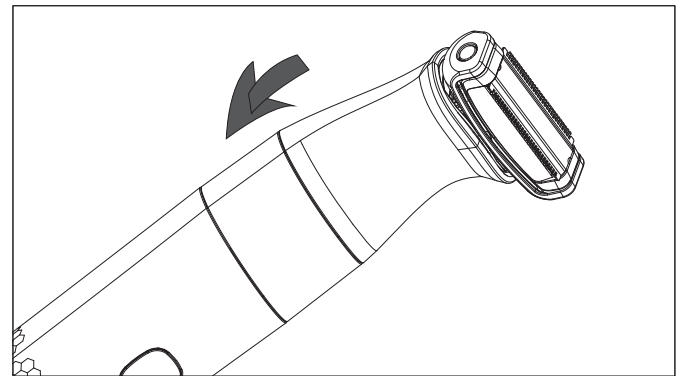
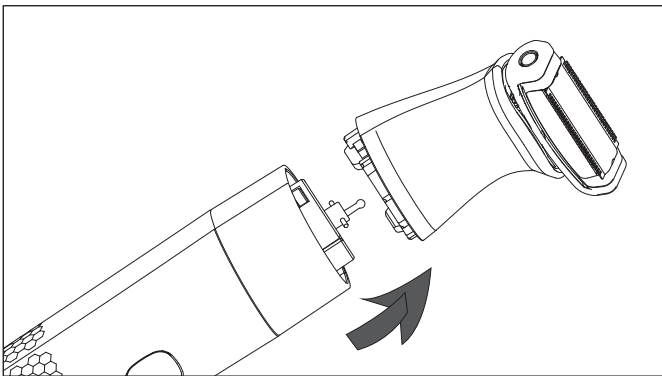
Figure 2

Installation Instructions

Note: Ensure the device is switched off before removing or attaching accessories.

A. Installation of the Shaving Head

- 1. Attachment:** Position the shaving head in line with the body and press down firmly until it snaps into place, securing the attachment.
- 2. Detachment:** Grasp the shaving head and pull it upwards away from the body of the device.

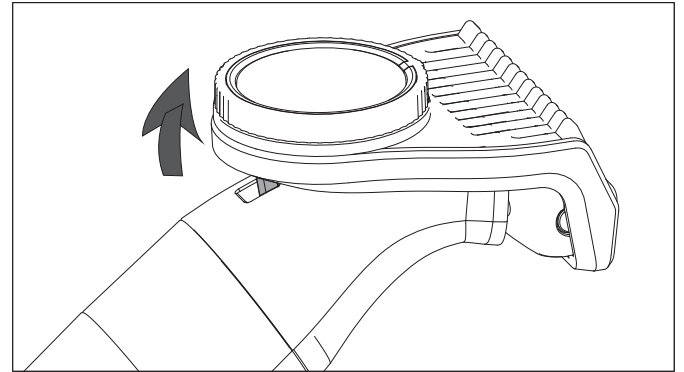
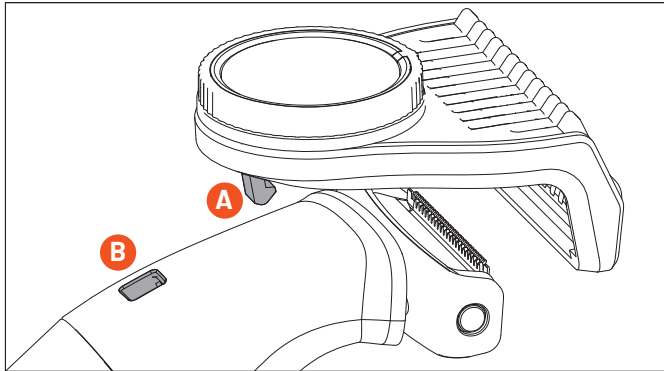


B. Comb Installation

Utilizing the guide comb can accurately maintain the desired hair length, prevent operational mistakes, and consequently avoid excessively short haircuts. It allows precise control over the hair's overall length.

- 1. Attachment:** Align the teeth of the comb with the top of the shaving head. Attach by connecting the comb at point A to the corresponding catch on the shaving head, followed by securing point B into its respective catch to complete the process.
- 2. Detachment:** Carefully disengage point A of the comb from point B of the shaving head to remove the comb.

3. Adjustment: The comb features 10 adjustable settings, ranging from 0 to 9mm. Rotate the shaving head to align with the desired setting on the adjustment track for the correct hair length.



Cleaning and Maintenance

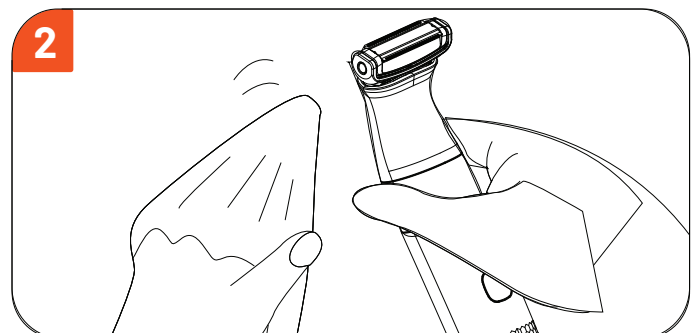
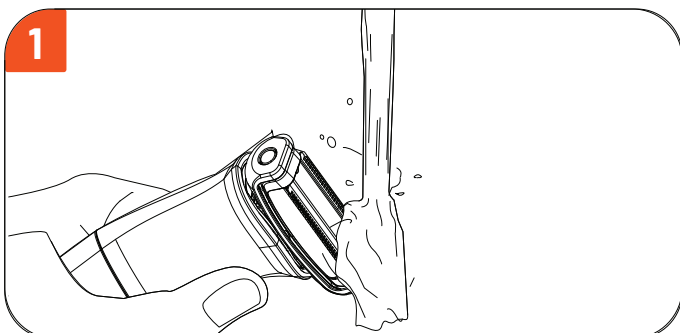
1. Cleaning

1.1 Use the cleaning brush to remove hair from the cutting head. Follow the direction indicated by the arrow on the handle of the tool rest to clear any hair caught between the upper and lower blades.

Warning: Do not disassemble the springs of the cutting head, as this may prevent the cutting head from returning to its original state for standard operation.

1.2 After each use, it's important to remove the cutting head and clean both its surface and the area between the upper and lower blades to maintain and ensure the sharpness of the blades. Make sure to dry the cutting head to prevent rusting of the springs.

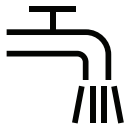
1.3 Apply a few drops of blade oil to the cutting head after cleaning to preserve its function and longevity.



1.4 Follow these instructions to remove hair debris:

1. Use the cleaning brush to remove hair remnants from the cutting head's installation slot. The model is waterproof and it can be rinsed with water.
2. Clean the body of the device and thoroughly dry it with a cloth. Reattach the cutting head for storage, ensuring it's ready for next use.

Compatibility:



Note: This device is suitable for cleaning under running water.

Warning: Only wash the handheld part with water after detaching it from the power cord.

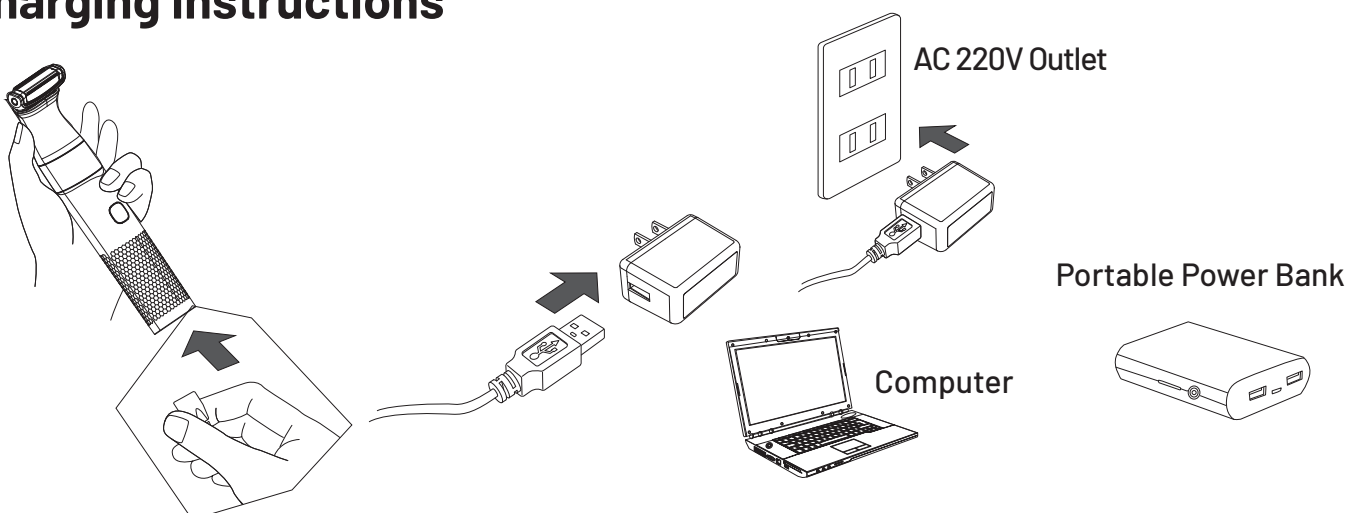
2. Lubrication of the Cutting Head

Apply lubricating oil to the marked circular areas where the upper and lower blades contact. Move the blades from side to side to ensure even distribution of the oil.

Attention:

1. The durability of the cutting head correlates with the frequency of use, hair thickness, and maintenance practices.
2. Replacing dull blades in a timely manner prevents them from snagging hair.
3. For blade replacements, please consult our authorized agents or service centers; refrain from using incompatible blades from other manufacturers.
4. It is normal for the blades to become slightly warm during use; this does not hinder performance.

Charging Instructions




Connect the USB cable to the hair clipper.

Helpful Hint: It is advisable to fully charge the hair clipper before first use.

Ensure the clipper is switched off before plugging the USB cable into a power source. The indicator light should illuminate to signal that it is charging. The USB cable can be connected to various power sources such as a cell phone charger, computer, or portable power bank.

Safety Precautions

- 1.** Consistent cleaning and maintenance are key to the machine's optimal performance and longevity.
- 2.** Avoid exposing the machine to high temperatures or direct sunlight.
- 3.** Keep the device away from pets and children.
- 4.** Do not attempt to modify, disassemble, or repair the product on your own.
- 5.** Use only the original parts for replacement when the cutting head becomes worn out.
- 6.** Ensure that the charging cord is not subjected to heavy objects or forced into positions that could cause damage or distortion.
- 7.** It is normal for the clipper to feel warm during use and while charging.
- 8.** Before using, always inspect the cutting head for any damage or irregularities.
- 9.** Charge this device exclusively with the provided USB cable.
- 10.** Should the USB cable sustain damage, replace it only with a designated USB charging cable supplied by our company or through our authorized repair service.
- 11.** Avoid applying excessive pressure to the blade head against the skin.
- 12.** This product is not suitable for individuals with physical, sensory, or intellectual disabilities or for those (including children) without adequate experience or judgment.
- 13.** If you detect any product malfunctions or defects, Stop using the device immediately and contact the authorized repair center.
- 14.** For optimal performance, use the charger at room temperatures between 5°C and 40°C. The battery will be fully charged in approximately 3 hours. Achieving the best battery performance requires 3 to 4 complete charge and discharge cycles.

 **Note:** In the event of a battery leak, clean the device with a cloth. Place the defected battery in a plastic bag and dispose of it at a certified recycling center. If battery contents contact the skin, wash the area with water immediately and seek medical advice.

Warning

1. The use of non-rechargeable batteries in this device is strictly prohibited.
2. Ensure that the battery has a residual charge before recharging, and connect to power sources or USB ports that supports a DC 5V/1A output.
3. Operate this appliance exclusively for its intended use as outlined in the accompanying instructions.

Recycling Guidelines

Instructions For Battery Removal

1. Disconnect the hair clipper from the power supply.
2. Allow the clipper to run until the battery is fully depleted.
3. Unscrew all fasteners on the clipper's casing to access and remove the rechargeable batteries.

Instructions For Battery Disposal

1. Batteries in electric hair clippers may contain environmentally hazardous substances.
2. Remove the batteries from the device before disposal.
3. Ensure that the electric hair clipper is detached from any electrical source before battery removal.
4. Batteries should be disposed of safely.

Safety Warnings

1. Never cause a short circuit in the batteries, as it could lead to combustion or fire.
2. Do not dispose of batteries by burning; doing so could trigger an explosive reaction and release toxic chemicals.

Warranty

Products that you buy directly from our **Porodo** website or shop come with a 24-month warranty.

When you buy **Porodo** products from any of our approved sellers, you only get a 12-month warranty. If you want to extend this warranty, go to our website at **<https://porodo.net/warranty>** and fill out the form with your information. Don't forget to upload a picture of the product too. After we've checked and accepted your request, we'll send you an email to confirm that your product's warranty has been extended.

For more info, please check:

<https://www.porodo.net/warranty>

Contact Us

If you have any questions about this Privacy Policy, please contact us at:

info@porodo.net

Website: **porodo.net**

Service Support: **support@porodo.net**

Instagram: **[porodo](https://www.instagram.com/porodo)**