

porodo
LIFESTYLE



CORDLESS HAIR STRAIGHTENER

ADVANCED CERAMIC COATED

MODEL: PD-LSPHRST-BK

Instruction Manual

Read all instructions before using and save these instructions

Instruction Manual

Type: EHD-003

DC 3.7 V; IPX0

Capacity: 4000mah

Important Safeguards

When using an electrical appliance, basic safety precautions should always be observed, including the following:

1. This appliance can be used by children aged from 8 years and above and persons with reduced physical, sensory or mental capabilities or lack of experience and knowledge if they have been given supervision or instruction concerning use of the appliance in a safe way and understand the hazards involved. Children shall not play with the appliance. Cleaning and user maintenance shall not be made by children without supervision
2. **WARNING:** Do not use this appliance near bathtubs, showers, basins or other vessels containing water.
3. When the hair dryer is used in a bathroom, unplug the appliance after use since the proximity of water presents a hazard, even when the Hair straightener is switched off.
4. For additional protection, we advise you to install a residual current device (RCD) with a rated residual operating current not exceeding 30mA in the electrical circuit supplying the bathroom. Ask your installer for advice.
5. If the supply cord is damaged, it must be replaced by the manufacturer or its service agent or a similarly qualified person in order to avoid a hazard.
6. Check if the voltage indicated on the appliance corresponds to the local voltage before you connect the appliance.
7. This appliance is not intended for use by persons (including children) with reduced physical, sensory or mental capabilities, or lack of experience and knowledge, unless they have been given supervision or instruction concerning use of the appliance by a person responsible for their safety.

Children should be supervised to ensure that they do not play with the appliance. the appliance is only to be used with the unit provided

8. Never block the air grilles.

9. If the appliance overheats, it will switch off automatically. Unplug the appliance and let it cool down for a few minutes. Before you switch the appliance on again, check the grilles to make sure they are not blocked by fluff, hair, etc.

10. Do not direct the airflow towards the eyes or other sensitive areas.

11. Neither should the appliance be used with wet hands nor immersed in water, held in running water, or allowed to become wet.

12. Do not use the hair dryer for purposes other than drying and styling human hair.

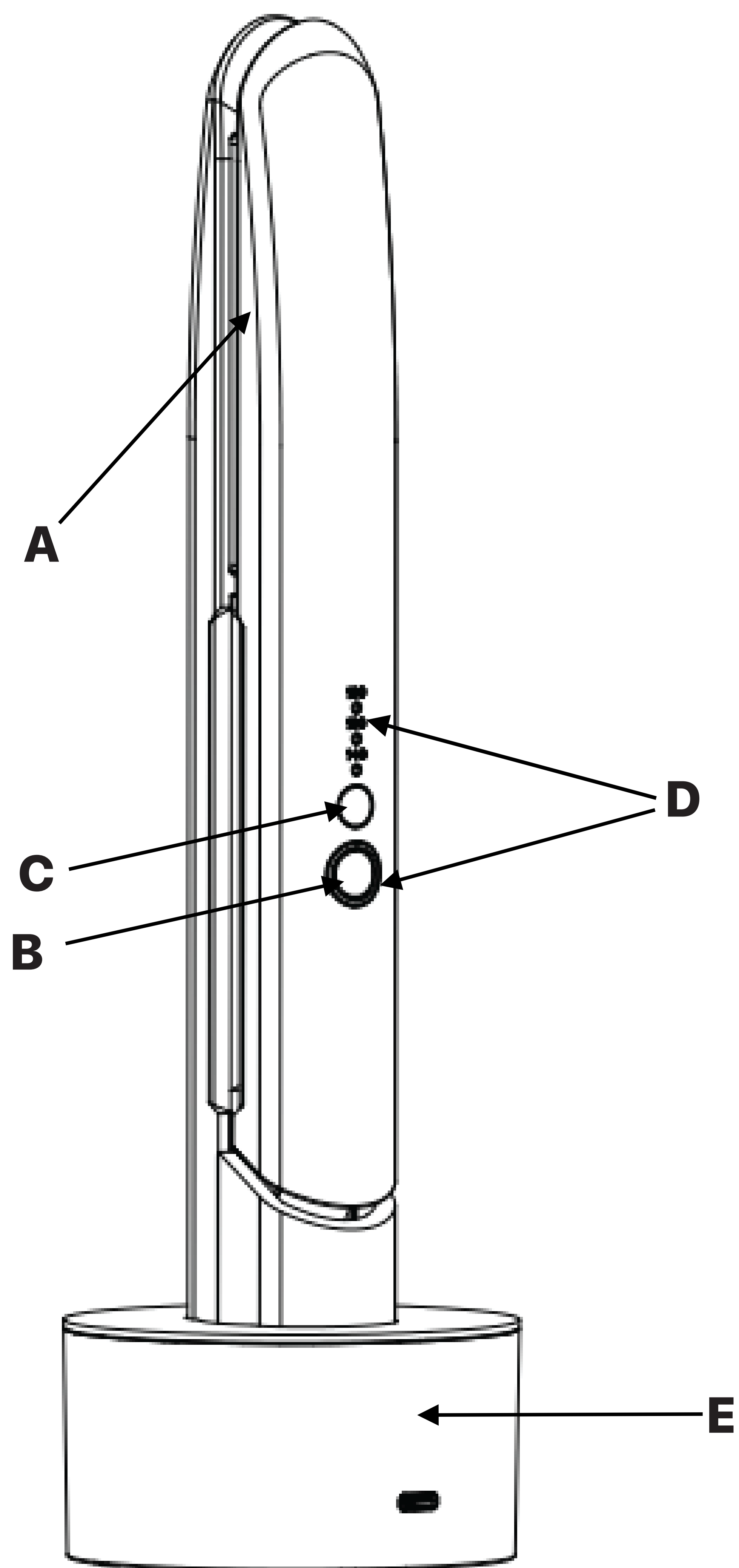
13. Do not pull the cord with unnecessary force. Do not wrap the cord around the unit. Check cord regularly for any sign of damage. Damaged cords can be dangerous.

14. Always switch the appliance off before putting it down, even if it is only for a moment.

15. Always unplug the appliance after use.

16. Clean the appliance after use to avoid the accumulation of grease and other residues.

KNOW YOUR PRODUCT



A. Heating plate.

B. Power switch.

C. Temperature button.

D. LED indicating lamp/ Charge lamp.

E. Charging base

HOW TO USE

Microprocessor supported styling.

Thanks to its highly sophisticated microprocessor and its LED indicating lamp. Individual temperature choice: Using the temperature selection buttons (C), you can adjust the temperature in 20°C steps in a range between 140°C and 180°C. We recommend the following temperature settings.

Hair Structure	Temperature setting
Fine, porous, colored, bleached	140°C
Normal (for straightener)	160°C
... and for professional styling results	180°C

Getting started

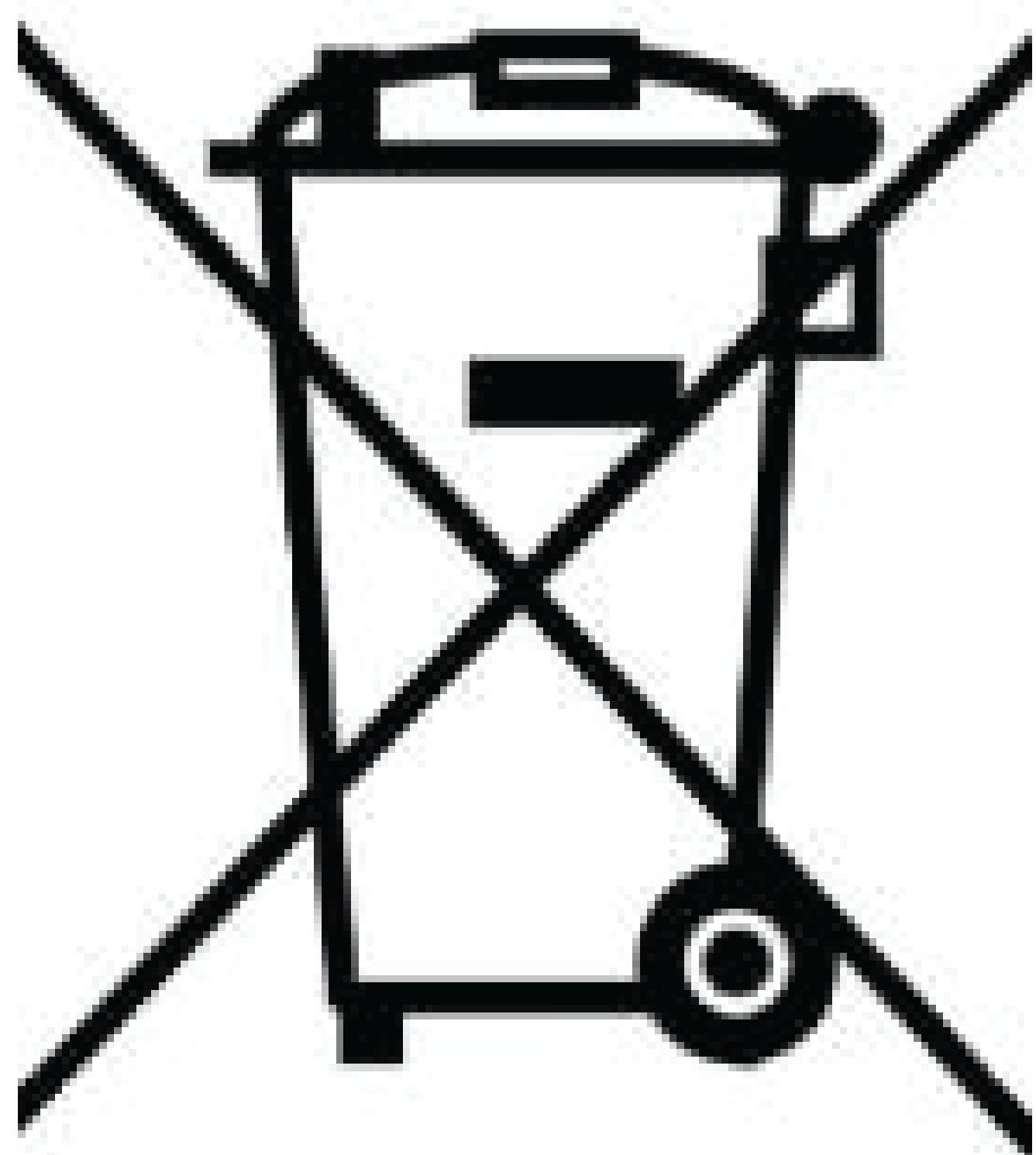
push the button (B) for approx.1 second to turn it on.

After approx. 50 seconds, the LED indicating lamp stop flashing when the temperature reach stable value. You can start using the appliance.

- Make sure the product battery has enough energy
- The product can be charged on the base. The indicator light turns green when the product is fully charged.
- Note: After using the product, slight heating of the handle is normal. At this time, if the product is charged, the power indicator light may be in the state of full power and cannot be charged, the product will be able to charge normally after cooling, and the indicator light flashes

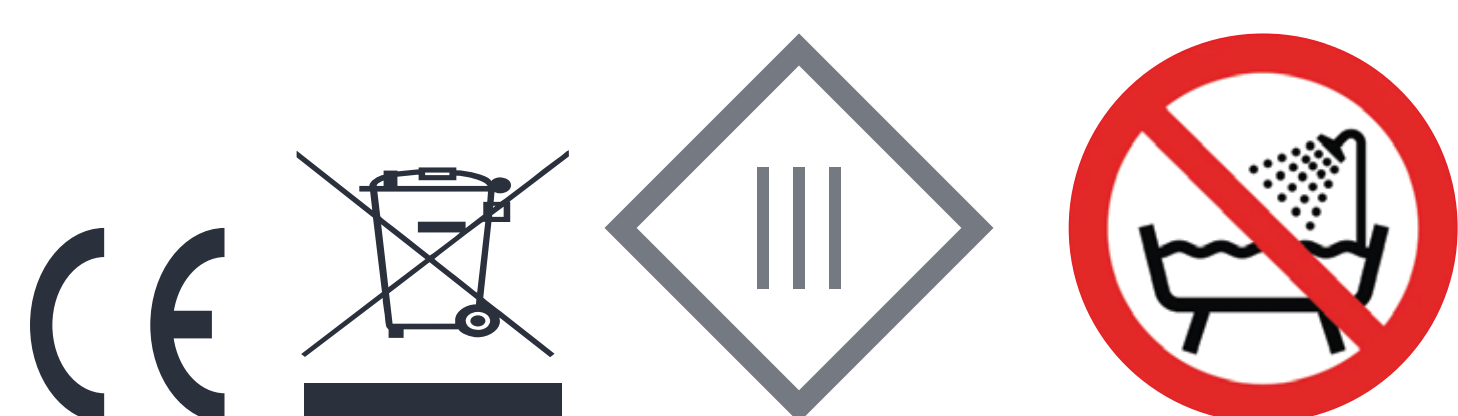
Cleaning

1. The appliance can be cleaned with a dry cloth.
2. Remove the attachments from the appliance before cleaning them. Make sure the attachments are dry before using or storing them. Never rinse the appliance with water.



Disposal

This marking indicates that this product should not be disposed with other household wastes throughout the EU. To prevent possible harm to the environment or human health from uncontrolled waste disposal, recycle it responsibly to promote the sustainable reuse of material resources. To return your used device, please use the return and collection systems or contact the retailer where the product was purchased. They can take this product for environmental safe recycling.



Made in China

www.porodo.net

 /porodo  /myporodo