



Bluetooth Audio Transmitter

Connects Two Headphones Simultaneously

Model: PD-WBTAT-BK

Introduction:

Thanks for choosing our Bluetooth audio transmitter. This device streams audio wirelessly from the non-Bluetooth devices to your Bluetooth headphones or speakers. In addition, it adopts dual 3.5mm AUX prongs workable in any model of aircraft and supports to pair 1 or 2 Bluetooth headphone and speaker at same time. Built-in rechargeable battery makes you effortlessly enjoy up to 8 hours. If you want to have a better experience, please read these instructions carefully.

Packing Content:

- Bluetooth audio transmitter
- Type C charging cable
- 3.5mm Extension cable
- User manual

Features:

1. Wirelessly transmit audio signal from the in-flight entertainment systems, fitness machines, gaming devices or TV to Bluetooth Headset.
2. Adopts dual 3.5mm AUX prongs workable in any model of aircraft.
3. Effortlessly enjoying up to 8 hours and rapid recharging within 2 hours.
4. Pair 1 or 2 Bluetooth headphone/speaker at same time.
5. Supports Low Latency and instant sound transmission.
6. Small and compact, easy to carry.
7. Bluetooth Version: V 5.0

Specifications:

1. Bluetooth version: Actions V5.0
2. Bluetooth profile: A2DP,AVPCP
3. Bluetooth frequency: 2480-2402MHZ
4. Bluetooth ID: BT16
5. Audio technology: SBC
6. Bluetooth distance: 7m
7. Working time: 8 hours
8. Charging time: 2 hours
9. Battery capacity: 3.7V 240mAh
10. Power input: DC 5V/200 mA
11. Dual Aux prongs: 3.5mm Aux-in
12. Product size: 14.8*47*47.15mm
13. Product weight: 26.17g
14. Material: PC

Compatibility:

This device can be paired with most of Bluetooth headphones in the market. Each time can be connected with one/two Bluetooth headphones or speakers.

Precautions:

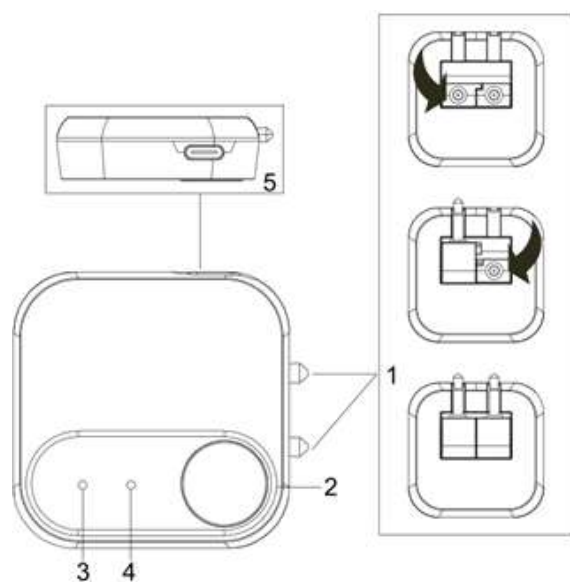
Please read all safety instruction warnings carefully before using this product. Improper use of this product may result in damage to this or attached products. To ensure the products work well, **please DON'T:**

- **Get the Adaptor wet**
- **Drop the Adaptor as this will invalidate your warranty**
- **Open up the Adaptor. There are no user serviceable parts inside**
- **Expose the Adaptor to extreme temperatures or rapid changes of hot to cold or vice versa**

Please DO:

- Clean the Adaptor with a soft dry cloth and no detergents

Appearance:



1. Folding input prongs
(works with single or dual 3.5mm Aux jacks)
2. Multi-function button (MFB)
(power on/off, disconnected)
3. LED indicator (a)
4. LED indicator (b)
5. USB-C charging port

Operation Instructions:

• **Pair the adaptor with Bluetooth headphones**

1. Power on Bluetooth headphones and place them in pairing mode.
2. Press and hold MFB for 3 seconds to enter pairing mode. Blue LED will flash.
3. Keep Bluetooth headphones and adaptor close together. They will have prompt a successful connection. The Blue LED will flash every once 3 seconds.
4. The adaptor will automatically connect to the previous Bluetooth headphones when both turned on. If failed, it will enter searching mode, blue and red LEDs flash alternately.

• **Dual Pairing (with BT16 already paired to a set of Bluetooth headphones)**

1. Place second Bluetooth headphone in pairing mode;
2. Double click MFB to enter dual pairing mode, blue and Red LED flash alternately.
3. Blue and Red LEDs flash synchronously when connect successfully.
4. If the Bluetooth headphone is paired before, the adaptor will automatically connect it, not necessary to double press MFB.

- Disconnect

1. Press MFB to disconnect current paired one or two Bluetooth headphones. The adaptor will enter searching mode, blue and red LEDs flash alternately.

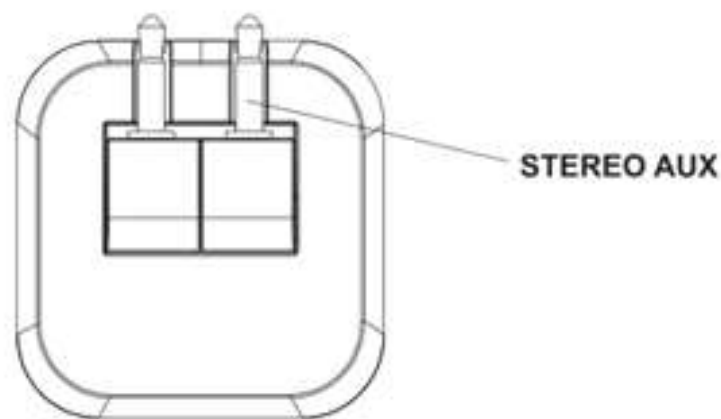
2. The adaptor will automatically power off after 5 minutes if no device paired

- Playing in flight entertainment

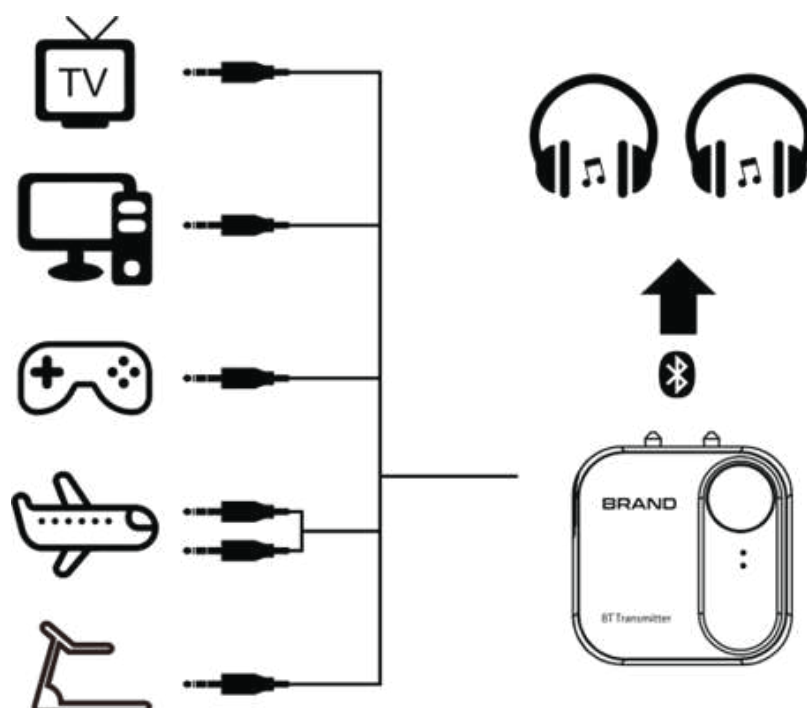
Plug dual 3.5mm prongs into the airline entertainment socket and you will be able to listen with your Bluetooth headphones.

- Extension Cable (for single Aux output in recessed location)

Plug the stereo Aux input prong into the cable as shown.



Context of Use:



LED Indicator status

Pairing Mode	Blinking Blue
Paired Mode	Flash Blue every once 3 seconds
Dual Pairing Mode	Blue and Red flash alternately
Dual Paired Mode	Blue and Red flash synchronously
Searching Mode	Blue and Red flash alternately
Low Battery	Blinking Red
Charging	Solid Red
Fully Charged	Red light off

For more information, please contact our support team:

support@porodo.net