

soundtec
BY PORODO

AVANT

DUAL CHANNEL PORTABLE SPEAKER



USER GUIDE

Model : PD-AVANT-BK

To ensure correct operation and avoid damage, please read this user manual carefully before using this product.

Features:

- 2.0CH portable Bluetooth speaker
- Lifestyle Bluetooth Speaker with Metal Handle
- 2.0 CH RMS 20watts loud and clear stereo sound
- Powerful Bass and %30 Reverberation with a clearer vocal sound quality
- Bluetooth 5.1 for more stable , faster and stronger compatibility on connection
- TWS function for connection of 2 speakers
- AUX IN / USB flash multiple playing
- Hands free Mic for easily phone call
- With Wired Microphone jack
- IPX5 waterproof for outdoor small party
- Aluminium alloy handle

Specifications:

Bluetooth version: V5.1

Speaker Size: 2 inch*2

RMS output: 20W

Max output: 30W

Battery capacity: 7.4V 1800mAh

Frequency Response: 80Hz-16KHz

Play time: 11 hours at %50 volume

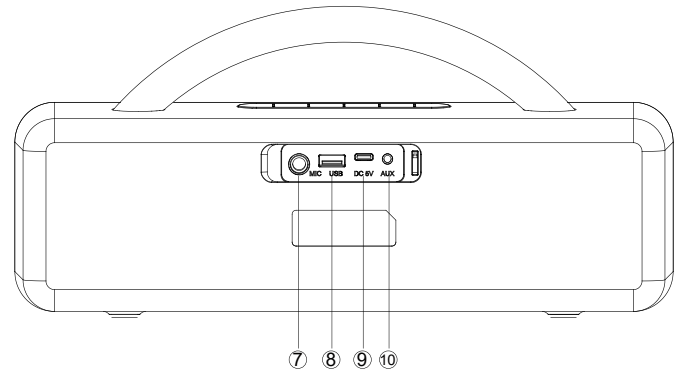
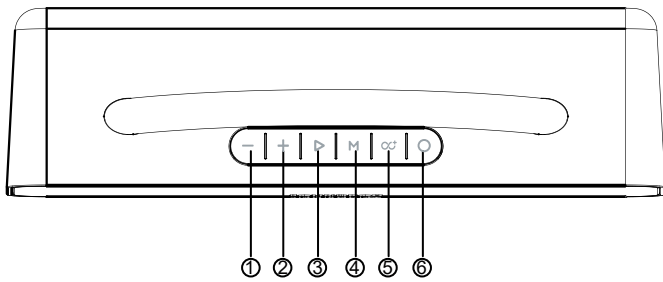
Bluetooth connecting range: 10m

Product size: 330*(L)*156(H)*94.5(W)mm

Package Contents:

- 1xPortable Bluetooth Speaker
- 1xType-C Charging cable
- 1xUser manual

Product Details:



① **Backward/Volume Down**

② **Forward/Volume Up**

③ **Play/Pause**

④ **Mode Button** (turn among Bluetooth, FM, USB disk and AUX-IN)

⑤ **TWS Button**

⑥ **Power On/Off**

⑦ **MIC Port**

⑧ **USB Port**

⑨ **Type-C Charging Jack**

⑩ **AUX Port**

Power On/Off

Long-press the Power button to turn the speaker on and off.

Bluetooth:

- Turn the power button to “ON”. The speaker enter Bluetooth mode automatically.
- Activate Bluetooth of mobile phone and search for device name “IS80” then connect it.
- Play the music from your mobile phone and enjoy.
- Long-press Forward or Backward button to select songs.
- Short-press Forward or Backward button to adjust volume up and down.
- Short-press Play/Pause button to play/pause the music.
- Long-press TWS button to disconnect the Bluetooth connection with the mobile device.

TWS Function:

- Turn on two identical speakers you want to pair, both under BT mode. Only need to set one of the two units.
- Short-press the TWS button to pair, the TWS button will keep lighting after paired successfully. TWS light will turn of if fail to pair in one minute.
- Make Bluetooth connection with your mobile phone to play music by the two paired Speakers.
- Short-press the “TWS” button again to exit TWS function.

Playing music from USB disk:

- Turn the Power button to “ON”.
- Insert USB flash disk into slot, the speaker will play the stored music automatically.
- Long-press Forward or Backward button to select songs you like, short-press to adjust the volume up and down.
- Short-press Play/Pause to play or pause.

Notes: Under any playing mode, when you insert a USB disk to the speaker, it will switch to play the USB disk.

FM Radio:

- Turn the power button to “ON”, short-press the “MODE” button to enter radio state.
- Short-press “Play/Pause” button to mute the speaker. Long-press “Play/Pause” button to auto search the FM Channel and store it automatically.
- Long-press Forward or Backward button to change the stored FM channel, short-press to adjust the volume up and down.

AUX-IN:

- For other compatible music devices, use the supplied audio line cable to connect from the device’s “Line Out” to the “Aux In” of this device, then enjoy...
- Under any playing mode, when you use the audio cable to connect the device, it will auto-switch to the AUX mode.
- Short-press “Play/Pause” button to mute the speaker while playing music under AUX mode.
- When using an external device, all functions can be controlled by the external device.

Activating Voice Assistant:

- Make Bluetooth connection with your mobile phone.
- Long-press Play/Pause button to activate voice assistant.

Hands-free call:

- Under Bluetooth connection status, if there is an incoming call, user can short-press Play/Pause button to accept the call or long-press Play/Pause button to reject the call.
- During the call, user can long-press Play/Pause button to switch to talking on the phone.
- Short-press Play/Pause button or operate on mobile phone to end the call.

Reset Functionality:

If the speaker does not turn off or respond, user can use a small round pin to short-press the bottom of AUX port to reset the speaker.

More Remarks:

- Default volume is at %50 status of max volume.
- Play time may vary depending on volume level and music style.

How to charge:

- The charger is not included in the package, please charge this speaker via a rated 5V/2A charger or via a PC.
- Charge time should be 3.5-2.5 hours. Once the speaker is full charged, the 4 LED lights will keep steady lighting if it's powered on, otherwise, the LED lights will be off.
- When battery voltage is low, the speaker will prompt for recharging.
- The unit does not have power bank function, it is forbidden to charge other device via this unit or to connect other device via the USB port.
- To protect the battery, please do not use the speaker while it is charging

Warning:

- Please store and use this product in an environment of normal temperature.
- Please do not expose this product to rain or moisture environment.
- Please do not disassemble, repair or modify this product by yourself without authorization.
- When cleaning this product, please use a soft cloth or with little water if needed, please do not use chemicals for cleaning.
- In order to have an extended product life and protect your hearing, please avoid listening to songs on maximum volume for long time.
- The product is with built-in lithium battery, to avoid dangers, please do not discard or put it in the fair.