



PDX116

PS5 Cooling And Charging Hub

With Built-In Speed Touch Control

Instructions

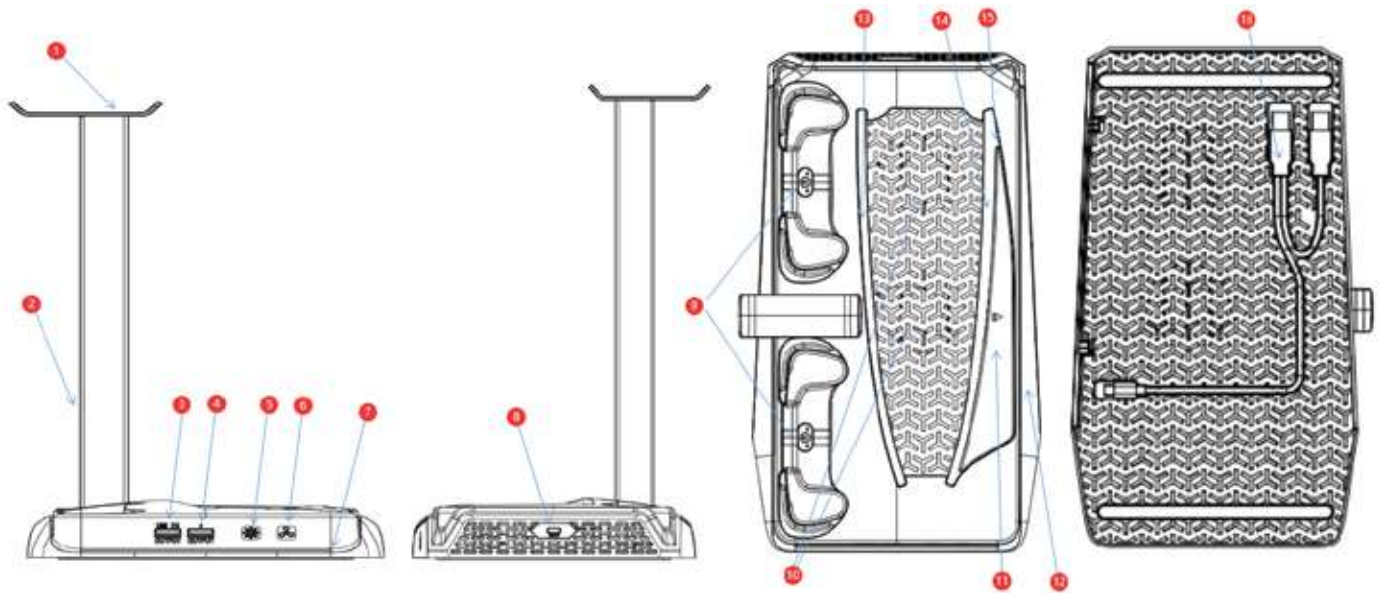
Product Introduction

The product is specially designed for PS5 consoles, supporting PS5 disc version and digital version consoles.

2. Equipped with 1 magnetic detachable accessory for easy fixing of PS5 digital version console.
3. Built-in 2 USB HUB expansion ports, one USB-A port with data transfer, one USB-A port is just for power supplying
4. Built-in 2 detachable Type-C adapter charging ports, which can charge two PS5 controllers at the same time.
5. The built-in touch speed control fan switch controls two cooling fans with a maximum speed of 5000 RPM, which can effectively dissipate heat for the PS5 console.
6. A variety of ambient lighting effects.
7. Support headphone storage.
8. Equipped with self-locking drawer type rack box, convenient to open the shelf box; The rack box can hold 12 game discs at the same time.
9. The bottom of the product hides a dual-head USB-A male port to USB-C male port data cable slot design, which is convenient for storage.
10. Product material: ABS
11. Product size: L 347mm*W 200mm*H 43.5mm

Compatible Platforms:

PS5 Digital/ Disc Edition.



- (1): Headphone storage stand.
- (2): RGB lighting group A.
- (3): With data USB A port.
- (4): Charging USB A port.
- (5): Light touch switch (blue light area).
- (6): Fan speed control touch switch (blue light area).
- (7): RGB lighting group B.
- (8): Type-C port.
- (9): Detachable Type-C adapter*2.
- (10): Two vents.
- (11): Detachable magnetic PS5 accessories.
- (12): Self-locking drawer rack box.
- (13): RGB light group C.
- (14): RGB Light Group D.
- (15): RGB Light Group E.
- (16): Dual-head USB-A male port to USB C male port data cable.

Electrical parameters

- 1. USB C port input: 5V/4A (MAX).
- 2. USB A port output: 5V/0.5A(MAX)*2
- 3. Working voltage of cooling fan: 5V-9V
- 4. Cooling fan working current: 28 0A(MAX)*2
- 5. Cooling fan speed: 3000 RPM /4000RPM /5000 RPM
- 6. PS5 controller charging current: 0.5A (MAX)*2
- 7. PS5 controller full time: 3.5H*1
- 8. DUAL-HEAD USB A MALE TO USB C DATA CABLE LENGTH: 320MM
- 9. Number of boxes storage: 12pcs
- 10. Power supply mode: PS5 console USB A port

11. Number of USB A port with data transfer: 1 x USB 2.0
12. Fan and light switch control: touch mode.
13. Three levels fan speed control: large, medium and small
14. Indicator light: (1) When the cooling fan is working (large, medium and small), the fan symbol lights up blue; When the cooling fan is turned off, the fan symbol turns off the blue light. (2) When the RGB light group is working, the light symbol lights up blue; When the RGB light group is off, the light symbol turns off the blue light

Operating instructions

1. The fan symbol on the side of the product is the touch button of the product fan (the default fan is off when power-on and the symbol blue light is off); Press the symbol shortly, at this time the fan turns on the first level (small) speed, and the symbol lights up blue; If you need to increase the speed again, press the fan symbol again, and the fan will go to the second level (middle) speed; Press the fan symbol again, and the fan goes to the third level (large) speed; Press the fan symbol for the fourth time, the fan is turned off (the symbol blue light is extinguished); Cyclic operation can control the large, medium and small level and turn off the fan.
2. The product side light symbol is the product light touch switch (power-on default light group work and blue light on symbol turn on); Long press the symbol switch for 3 seconds, the RGB light group is turned off, and the symbol blue light is off; Long press the symbol switch for 3 seconds again, the RGB light group works, and the symbol blue light turn on; Short press the light control switch to switch colors of light groups, RGB light group effect is a looping mode; The color loop: red>blue>green
>yellow>pink>white>breathing rainbow light
3. The light group default work when you powered on product. When re-powered on this product, the light group remember the light color mode of last time (except turn off light group).
4. Equipped with 2 adapters in the charging position for ps5 controllers, insert the adapter into the PS5 controller and placed in the contact slot where it can be charged, then it starts working. The stand is without charging indicator, you can see the charging status by ps5 controller (charging, orange light of ps5 controller flashes slowly with breathing; fully charged, lights of ps5 controller turn off). (Note: If the PS5 controllers is connected with the PS5 console when charging, the light of PS5 controller will not breathe slow flash, you can only check the charging status on ps5 system)
5. The product has 2 US- A ports, one output with charging and USB2.0 data transfer function. Another only has the charging function. The USB-C port on product is the power input port. Connect USB-A ports of PS5 console with USB-C port of this product by Dual-head USB-A male port to USB-C male port cable to power on the product.

Use caution

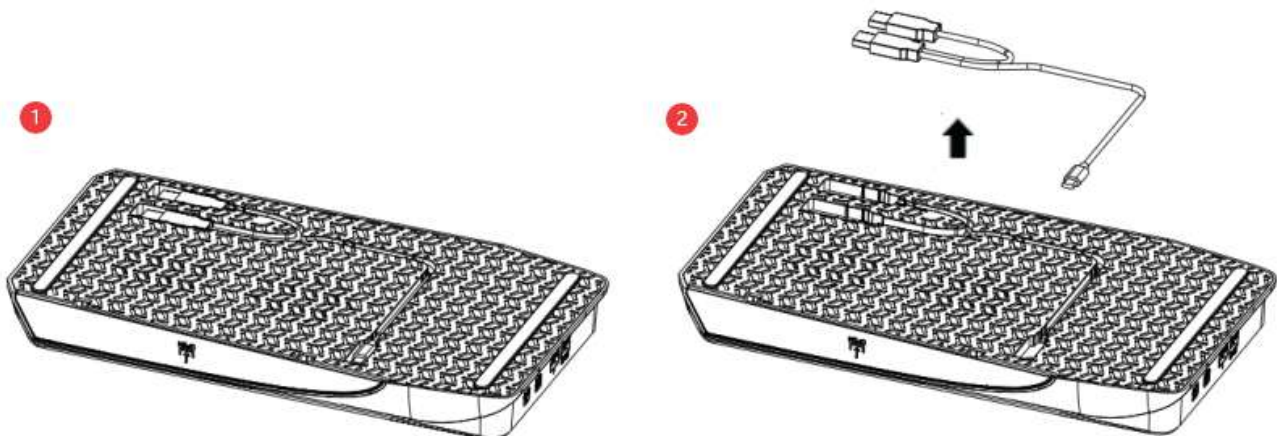
1. During the charging process, keep ventilation and cannot be covered with clothing, PE bags and other items.
2. When the PS5 console is not in use, please turn off the fan cooling switch to make the fan last longer.
3. Do not use in humid, high temperature environments.
4. When the dual-ended USB A male cable on the bottom is not in use, please put the cable back on the bottom to store and hide.
5. This product cannot be modified or disassembled.
6. After the thimble of the charging slot of the base is dirty after long-term use, it is necessary to clean the contact point with a cloth to ensure that the charging contact is normal.

1. [PS5 console digital version]:

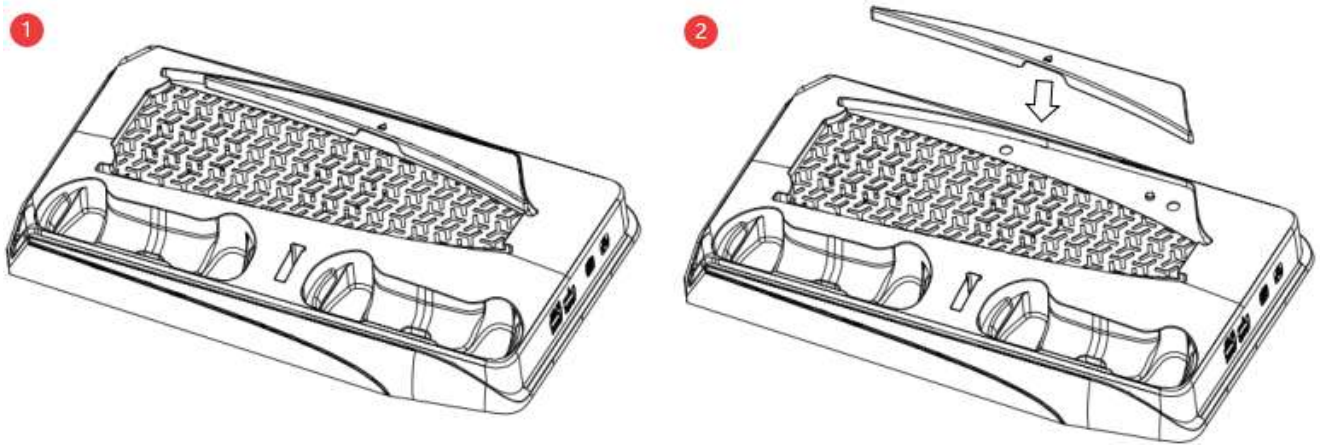
a) Take out the Type C adapter with magnetic suction from the base and install it on the PS5 controller , see the figure below.



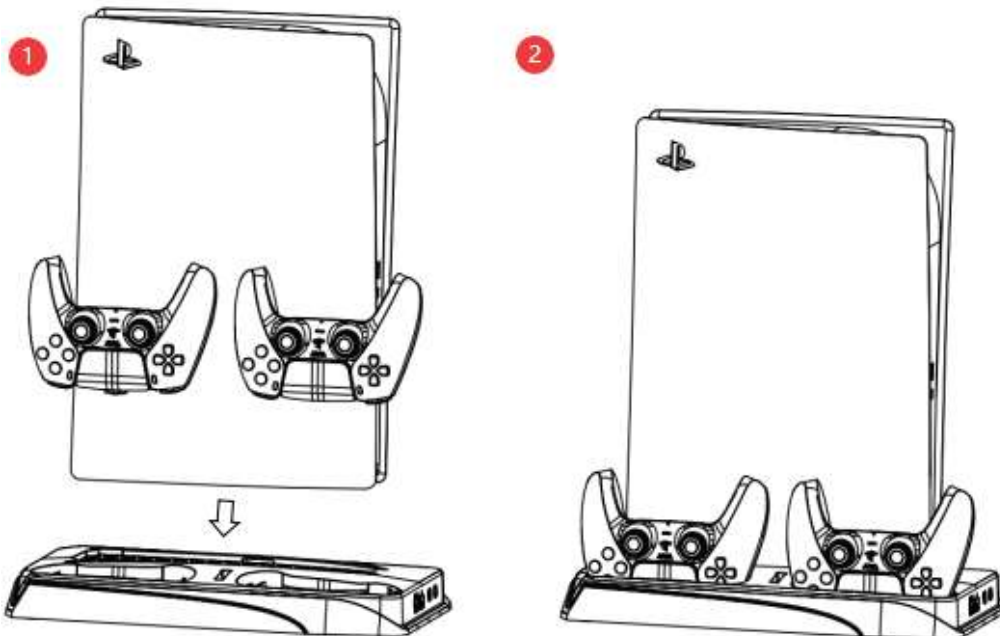
b) Remove the charging cable with your finger from the base storage slot , see the figure below.



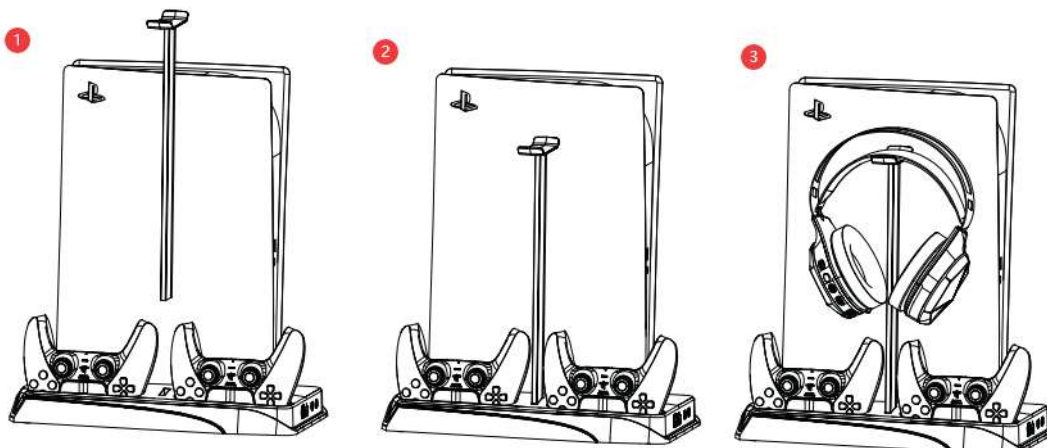
c) Install the PS5 digital version of the plastic accessories (magnetic), see the figure below.



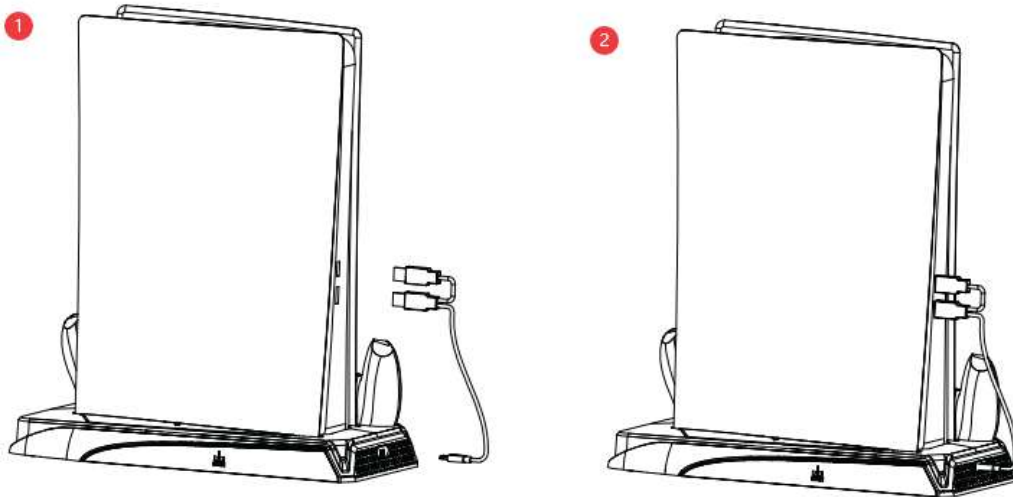
d) The PS5 digital console and PS5 controller are mounted on the base, see the figure below.



e) Install the headphone storage stand and headphones, see the picture below below.



f) The connection method of PS5 console and base cable is shown in the figure below.



g) Press the side of the base with your finger to open the disc rack drawer, and then put it on the game boxes , which can store 12 pcs , see the picture below.

