

# PORODO



## Porodo

### 3-Axis Gimbal Stabilizer

SKU: PD-LFST127

# **Table of Contents**

App Connection Guide	2
Connecting with Phone	2
App Interface	3
Quick Start	3
Power On/Off	4
Schematic View	5
Operation Modes	6
Other Functions	7
Charging	8
Specifications	9
Caution	10
Storage and Maintenance	10
Disposal	10
Warranty	11
Contact Us	11

## App Connection Guide

This gimbal enables the capture of photos and videos through the camera interface of your smartphone when connected to Bluetooth. It supports advanced photographic functions such as Inception, Dolly Zoom, and Panoramic shots directly within the app.

**Compatibility:** The app is compatible with iOS 12.0 and higher or Android 8.0 and higher.

Follow these methods to download the app:

### Method 1:

**1.** iOS Users: Search for "Gimbal Pro" on the Apple App Store.

<https://apps.apple.com/us/app/gimbal-pro/id1353756075>

**2.** Android Users: Search for "Gimbal Pro2" on the Google Play Store.

[https://play.google.com/store/apps/details?id=com.jxrobot.android.smooth-cam&pcampaignid=web\\_share](https://play.google.com/store/apps/details?id=com.jxrobot.android.smooth-cam&pcampaignid=web_share)

**Method 2:** Scan the QR code provided below to directly download and install the application.



Supported by iOS and Android

## Connecting with Phone

**1.** Turn on Bluetooth on your smartphone.

**2.** Switch on the gimbal.

**3.** Open the app and search for available Bluetooth devices. Select the device named "GP9\_XX" to automatically establish the connection.

## App Interface

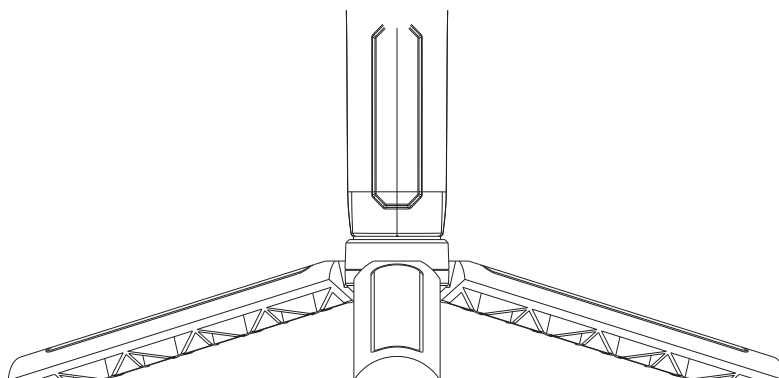


- |                             |   |
|-----------------------------|---|
| 1. Video/Photo/Vlog Mode    | 9. Gimbal Power Display                         |
| 2. Shooting Function Select | 10. Flash                                       |
| 3. Shoot Button             | 11. Phone Power Display                         |
| 4. Front/Rear Camera Switch | 12. Home Page                                   |
| 5. Album                    | 13. Camera Parameters                           |
| 6. Bluetooth Icon           | 14. Gimbal Mode Adjust                          |
| 7. Face/Object Tracking     | 15. Settings                                    |
| 8. Gimbal Condition Display | 16. Gesture Control (*Only works in iOS system) |

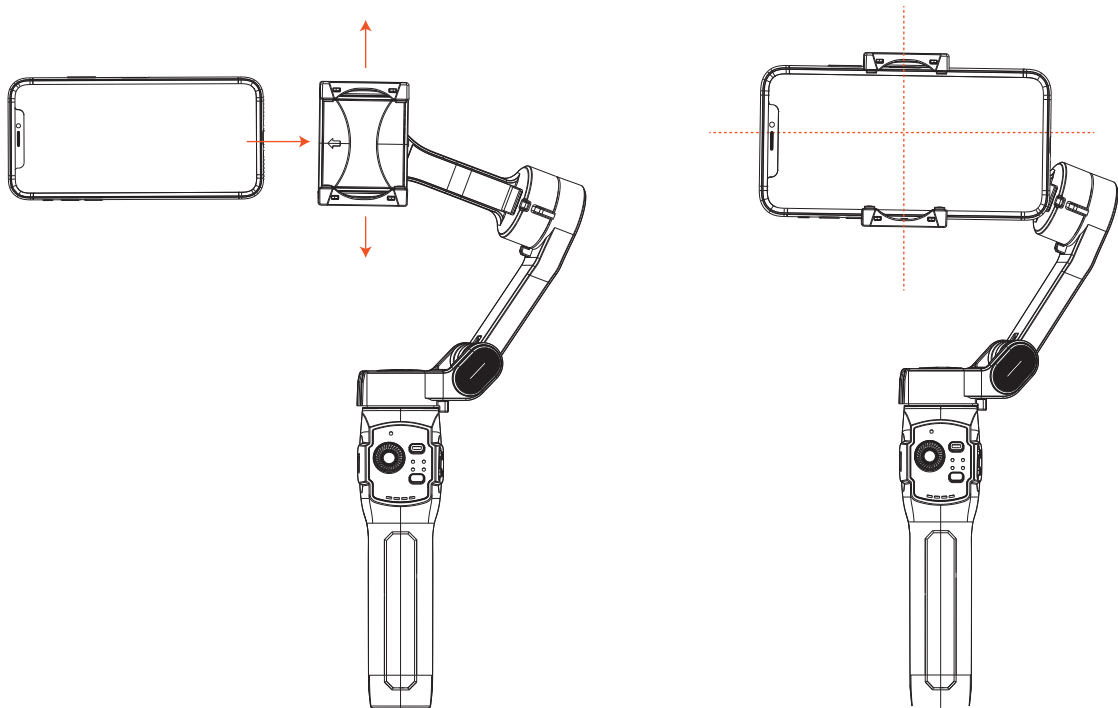
## Quick Start

This product allows you to power it on without the smartphone, and the phone can be removed during use, even when you receive a call.

1. Attach the tripod to the gimbal.



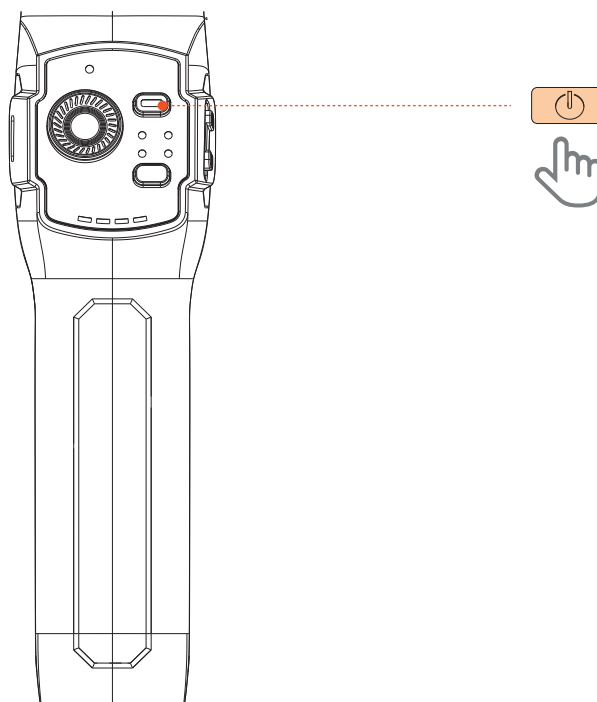
**2.** Place the smartphone on the gimbal according to the direction indicated by the red arrow. Remove the smartphone case before inserting, and ensure the holder is positioned at the center of the smartphone.



## **Power On/Off**

**Operation:** Press and hold the power button to switch the gimbal on or off.

**Note:** Ensure that the smartphone is securely attached to prevent any unwanted vibration or movement of the gimbal during operation.



# Schematic View

## Bluetooth Indicator

1. Slow Flashing: Bluetooth is not connected.
2. Fast Flashing: Bluetooth is attempting to connect.
3. Light is On: Bluetooth is connected.

## Power Button Functions

1. Long Press: Power on/off.
2. Single Press: Switch between portrait and landscape mode.
3. Double Press: Toggle between photo and video mode (works in the app).
4. Triple Press: Switch between front and rear cameras (works in the app).

## Joystick

Controls the smartphone's vertical (up/down) and horizontal (right/left) movements.

## FPV (First Person View)

The tilt, pan, and roll axes will follow the movement of the gimbal.

## LF: Lock Full

Locks the tilt, pan, and roll axes to stabilize the smartphone's orientation.

## AF: All Follow

The tilt and pan axes follow the movement, while the roll axis remains locked in place.

## Battery Indicator

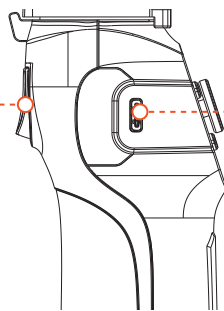
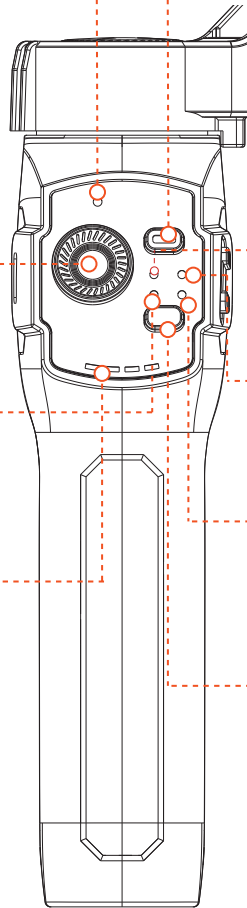
1. One Light: 1% to 24% battery
2. Two Lights: 25% to 49% battery
3. Three Lights: 50% to 74% battery
4. Four Lights: 75% to 100% battery

## HF: Half Follow

Only the pan axis follows the movement, with the tilt and roll axes locked.

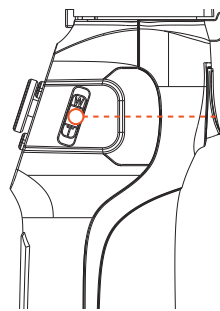
## Mode Button

1. A single press switches between the available operation modes.
2. Pressing the button twice centers the phone.
3. Pressing the button three times activates the face and object tracking icon, which works within the app.



## Shutter Button

1. Picture Mode
  - 1.1 Single Press: Take a photo.
  - 1.2 Long Press: Activate continuous photography (works in the app).
2. Video Mode
  - 2.1 Single Press: Start or stop recording.
  - 2.2 Double Press: Pause video shooting. Press again to resume (works in the app).
  - 2.3 Triple Press: Capture photos during video recording (works in the app).



## Type-C Port

Used to charge the gimbal.

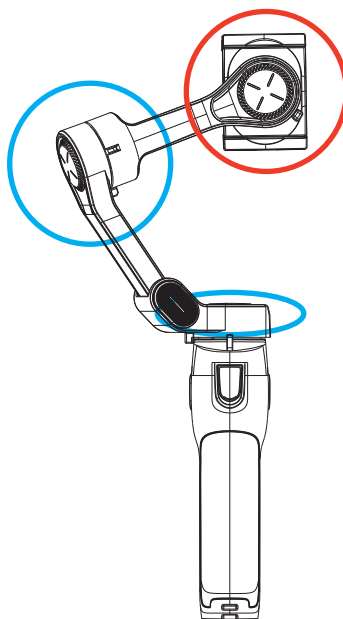
## Zoom

Allows you to zoom in and out.

**Tip:** To reset the Bluetooth name and unpair from the previous smartphone, press the shutter button and power button simultaneously. After this, you can pair the gimbal with another smartphone.

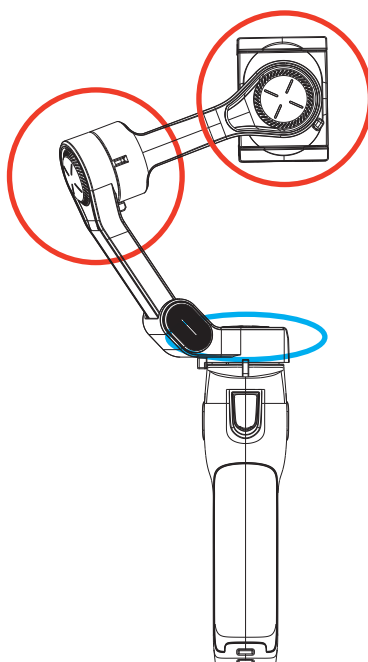
## Operation Modes

**All Follow (AF):** The roll axis is locked, while the pan (left/right) and tilt (up/down) axes will follow the movement of the handle.

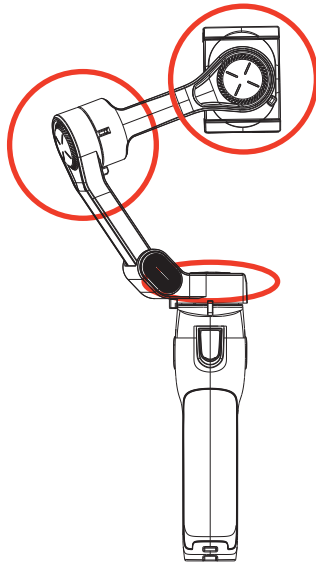


**Half Follow (HF):** The tilt and roll axes are locked. The pan axis rotates (left/right) smoothly with the movement of the handle.

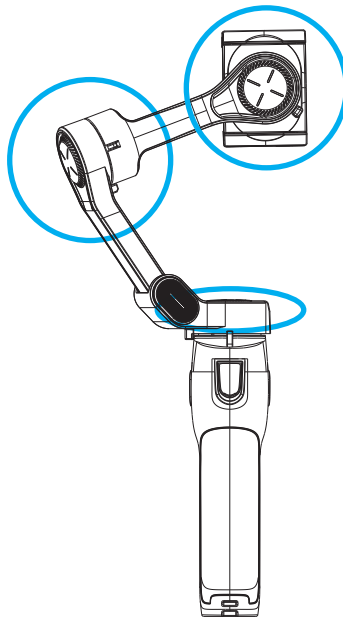
**Note:** This is the default mode when powering on the device.



**Lock Full (LF):** In this mode, the pan, tilt, and roll axes are all locked, keeping the camera steady and stable. This means the camera will not follow the movement of the handle.



**First Person View (FPV):** In this mode, the pan, tilt, and roll axes will follow the movement of the handle, providing a first-person perspective.

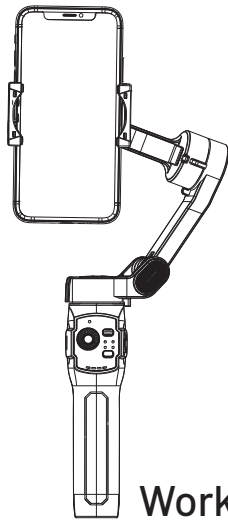


## **Other Functions**

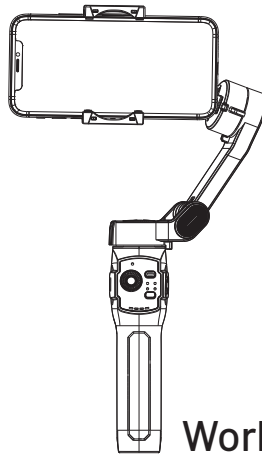
**Work Mode:** Works with both landscape and portrait modes.

**Underslung Mode:** Hold the gimbal upside down to enter underslung mode, allowing you to capture images from a low position.

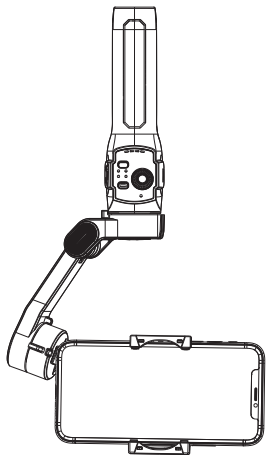
**Side Grip Mode:** Rotate the gimbal to the right or left by 90 degrees to switch from upright to side grip mode. This works in both landscape and portrait modes.



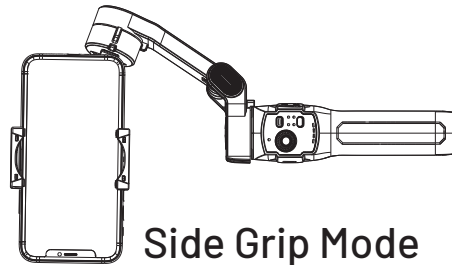
Work Mode (Portrait)



Work Mode (Landscape)



Underslung Mode



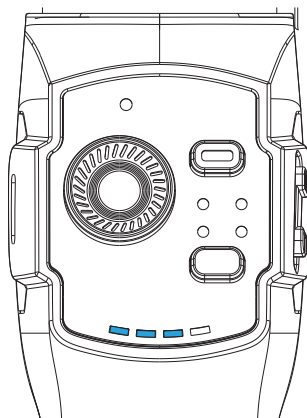
Side Grip Mode

## Charging

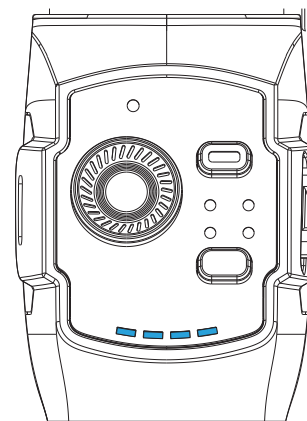
This product supports fast charging. It is recommended to use a 5V/2A adapter to charge the gimbal.

**Note:** The gimbal supports operation while charging.

→  
Type-C Port



Charging



Charging is completed.

## Specifications

Battery Capacity	3600mAh
Input	5V/2A
Charging Time	125min
Working Time	780min
Standby Time	1560min
Charging Interface	Type-C
Model Number	LFS127
Working Temperature	0°C to 40°C
Compatibility	Smartphones Up to 7.72"
Payload	150 to 280g
Product Weight	378g, 11.5g (Fill Light)
Product Size	79×135×285mm (Unfolded), 42×100×173mm (Folded)
Pitch Angle	160°
Roll Angle	325°
Pan Angle	340°
Controllable Tilt Angle	+45°/-45°
Controllable Roll Angle	+100°/-220°
Controllable Pan Angle	+220°/-100°

## **Caution**

1. Ensure that the motor's rotation is not obstructed by external forces during and after the stabilizer is powered on.
2. Avoid contact with seawater or corrosive liquids.
3. Do not disassemble the stabilizer, except for the detachable accessories mentioned in the manual.
4. If the motor operates for an extended period, its surface temperature may rise excessively.
5. Dropping or colliding with the stabilizer is strictly prohibited, as this may cause damage and abnormal operation.

## **Storage and Maintenance**

1. Keep the product away from children and pets to ensure safety.
2. Do not place the product near heat sources, such as furnaces or heaters, or in a hot car, as high temperatures can damage it.
3. Store the product in a dry environment to prevent moisture-related damage.
4. Avoid overcharging or excessively discharging the battery, as this can damage the battery cell.
5. Do not use the product in environments with extremely high or low temperatures, as this may affect its performance.

## **Disposal**

This product must not be disposed of as unsorted household waste. It is important to separate such waste for proper treatment and recycling, in compliance with local waste management regulations.

## **Warranty**

Products that you buy directly from our **Porodo** website or shop come with a 24-month warranty.

When you buy **Porodo** products from any of our approved sellers, you only get a 12-month warranty. If you want to extend this warranty, go to our website at **porodo.net/warranty** and fill out the form with your information. Don't forget to upload a picture of the product too. After we've checked and accepted your request, we'll send you an email to confirm that your product's warranty has been extended.

For more info, please check:  
**porodo.net/warranty**

## **Contact Us**

If you have any questions about this Privacy Policy, please contact us at:

**info@porodo.net**

Website: **porodo.net**

Service Support: **support@porodo.net**

Instagram: **porodo**