

USER MANUAL



5000mAh
Wireless Charging
Battery Case



The battery case is engineered specially for iPhone to give you even longer battery life.

Thank you for purchasing our power case. Please take a moment to read this manual carefully before using this product. Follow the instructions and use it properly.

Instruction:

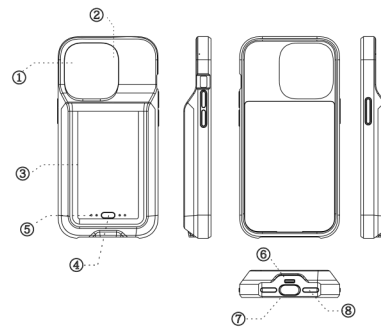
- 1. Charging the iPhone**
Install your iPhone into the battery case and press the power button on the back and hold for 3 seconds until the LED light comes on. Long press the power button for 3 seconds to power off.
- 2. Charging the Power case**
Connect Type C cable to the bottom of the battery case. Once connected, the LED lights will come on which indicates the battery case is charging. When the battery case is fully charged, all four (4) LED lights will come on. If the phone is installed in the battery case, it will charge the phone first. After the phone is fully charged, it will charge the battery case.

3.LED Indicators

LED Indicator	Charge level
LED 1	0~25%
LED 2	25~50%
LED 3	50~75%
LED 4	75~100%
LED 1	blink 0%(Need charging)

Frequency band: 123.72 khz - 189.42 khzH H-Field: 7dBuA/m@ 3m

Product Diagram:



- 1: Camera Hole
- 2: TPU rubber
- 3: Hard Plastic
- 4: Power Button
- 5: LED Indicator
- 6: Lightning input
- 7: Lightning hole
- 8: Speaker hole

Installation:

Warm Tips
When installing or removing the iPhone, first press down the top part of power case and hold this by one hand. Then push in or out iPhone by another hand.

Cautions:

1. Be sure to read the User Manual before use, and operate according to the product manual properly.
2. Be sure not to dismount this product. This product is not equipped with any dismountable/ maintainable parts and accessories.
3. Be sure not to place or use this product under hot or humid environment, and keep it from sun (range of service temperature: charging 10°C-45°C; discharging: -10°C-60°C; range of storage temperature: -20°C-45°C.
4. Be sure not to shake, knock or collide with this

- product. Be sure not to place this product into fire or water against explosion.
5. Please keep this product out of reach of children.
6. If there are some abnormalities like liquid leakage or blistering, be sure to stop using it, and contact with the customer service center.
7. In order to avoid any abnormalities in use, please use some original accessories, such as charging line, connector and power adapter.
8. Don't cut up or puncture the portable power case, don't place multiple portable powers into the box or into the drawer to avoid the short circuit caused by contact with each other or with other metal objects.
9. In order to avoid injury or property loss, please unplug the power line when not in use.
10. If the portable power case is not used for a long time, be sure to avoid its over-discharge. In order to avoid the impact on the product performance, the portable power case shall be fully charged and discharged, at least, every three months.
11. Disposal of a battery into fire or a hot oven, or mechanically crushing or cutting of a battery that can result in an explosion

For more information, please contact our support team:
support@porodo.net

