

PORODO
LIFESTYLE



Porodo Lifestyle
High-Speed
Ionic Hair Dryer

SKU: PD-LFST149

Table of Contents

Important Safety Precautions	2
Product Components	5
Operating Instructions	5
Electrical Diagram	6
Specifications	7
Troubleshooting	8
Maintenance	9
Material Contents	10
Disposal	11
Warranty	12
Contact Us	12

Important Safety Precautions

To ensure safe use and avoid personal injury or property damage, please follow these safety guidelines:

- 1.** Do not use the product if the power cord or plug is damaged or overheating, as this may cause burns, electric shock, or fire due to short circuits.
- 2.** Do not use the product with a loose socket, as this could result in burns, electric shock, or fire from a short circuit.
- 3.** Never unplug or plug in the power supply when your hands are wet, as this may cause electric shock or injury.
- 4.** Do not hold the power cord while in use, as this could cause electrical conductivity or fire due to short circuits.
- 5.** Avoid damaging, modifying, or placing heavy objects on the power cord, as this may lead to electric shock or fire from a short circuit.
- 6.** Always hold the power plug, not the cord, when unplugging the product to prevent damage that could result in electric shock, burns, or fire.
- 7.** Always make sure the power plug is fully inserted into the socket and that the product is using the correct voltage (110-220V). Do not use a power strip, as it may cause a short circuit or electric shock.
- 8.** If the power cord is damaged, it must be replaced by a qualified professional, such as those from the manufacturer or an authorized service department.
- 9.** When using a hair dryer or similar appliance in a bathroom, unplug it after use, as moisture in the area may increase the risk of electric shock. For added protection, it is recommended to install a residual current device (RCD) with a rated residual working current of no more than 30mA in the electrical circuit of the bathroom.
- 10.** Do not cover the air inlet and outlet with towels, clothing, or other materials, as this may lead to overheating, electric shock, or fire due to high temperatures or short circuits.
- 11.** This hair dryer is designed for drying hair only. Avoid using it for non-designated purposes such as drying clothes to prevent damage.

- 12.** Do not immerse the hair dryer in water. Always keep the device dry to avoid the risk of electric shock.
- 13.** Do not use the hair dryer in damp environments. Ensure the dryer is dry before use to prevent electric shock.
- 14.** Do not use the hair dryer if your hands are wet, as this could result in electric shock or fire.
- 15.** Do not use the hair dryer near flammable substances such as petroleum, paint thinner, or aerosol sprays, as this may cause an explosion or fire.
- 16.** Do not leave the hair dryer powered on unattended, as this may lead to overheating or fire. Additionally, avoid wrapping the power cord around the main body during storage, as this could cause damage to the cord, leading to a short circuit or fire.
- 17.** Do not store the hair dryer in high humidity areas, as excess moisture could result in electric shock or fire.
- 18.** Do not store the hair dryer where children or infants can access it, as it may cause electric shock or injury.
- 19.** Do not use this hair dryer near bathtubs, showers, washbasins, or other water sources, as this could lead to electric shock or fire.
- 20.** Do not use the hair dryer outdoors or in areas exposed to rain, as this may cause electric shock or fire due to short circuits.
- 21.** Do not attempt to repair, disassemble, or modify the hair dryer yourself, as this may cause injury, fire, or abnormal operation. For repairs, please contact a service center.
- 22.** This product is not intended for individuals with physical, sensory, or mental impairments, or those lacking experience and knowledge (including children). A responsible guardian must supervise its use to ensure safety and prevent accidents.
- 23.** The air outlet may become hot during use. Avoid direct contact with the outlet to prevent burns. Additionally, do not drop the device or expose it to strong impacts, as this could lead to electric shock or fire due to a short circuit.
- 24.** Do not operate the hair dryer if the air inlet is damaged, as this may result in hair entanglement or damage to the device. It is not recommended for use

on infants or young children, as it may cause burns or injury.

25. Always store the power cord properly, ensuring it is not twisted, bent, or pulled, as this could cause damage to the cord, resulting in burns, electric shock, or fire. This appliance is intended solely for hair drying and styling—do not use it for other purposes, such as drying pets, shoes, or clothing, as this may cause hazards.

26. Do not use the device near water or in damp environments, as it poses a risk of electric shock or fire.

27. When using the hair dryer in the bathroom, always unplug the device after use, even if the power switch is off. The risk of exposure to water remains even when the switch is turned off.

28. Overheat Protection: This hair dryer features an overheat protection mechanism that automatically powers off the device if the temperature exceeds safe limits. Should this occur, immediately turn off the power switch and unplug the dryer. Allow it to cool down for several minutes before using it again. Ensure there is no hair or debris blocking the air inlet or outlet before resuming use.

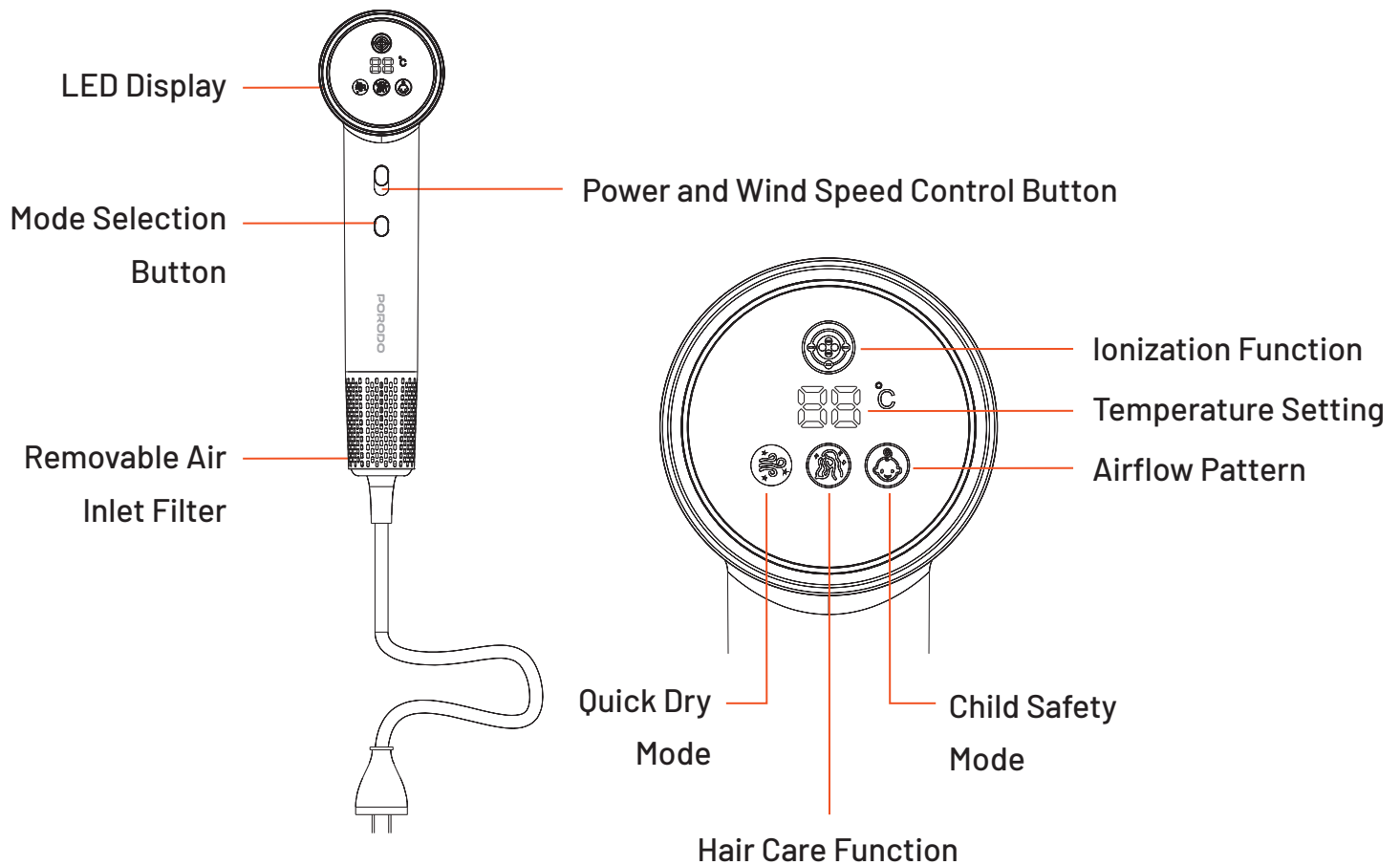


The symbol on the product indicates that it should not be used during bathing or showering.

Warning: Do not use this device near bathtubs, showers, wash-basins, or any other water sources to avoid the risk of electric shock.



Product Components



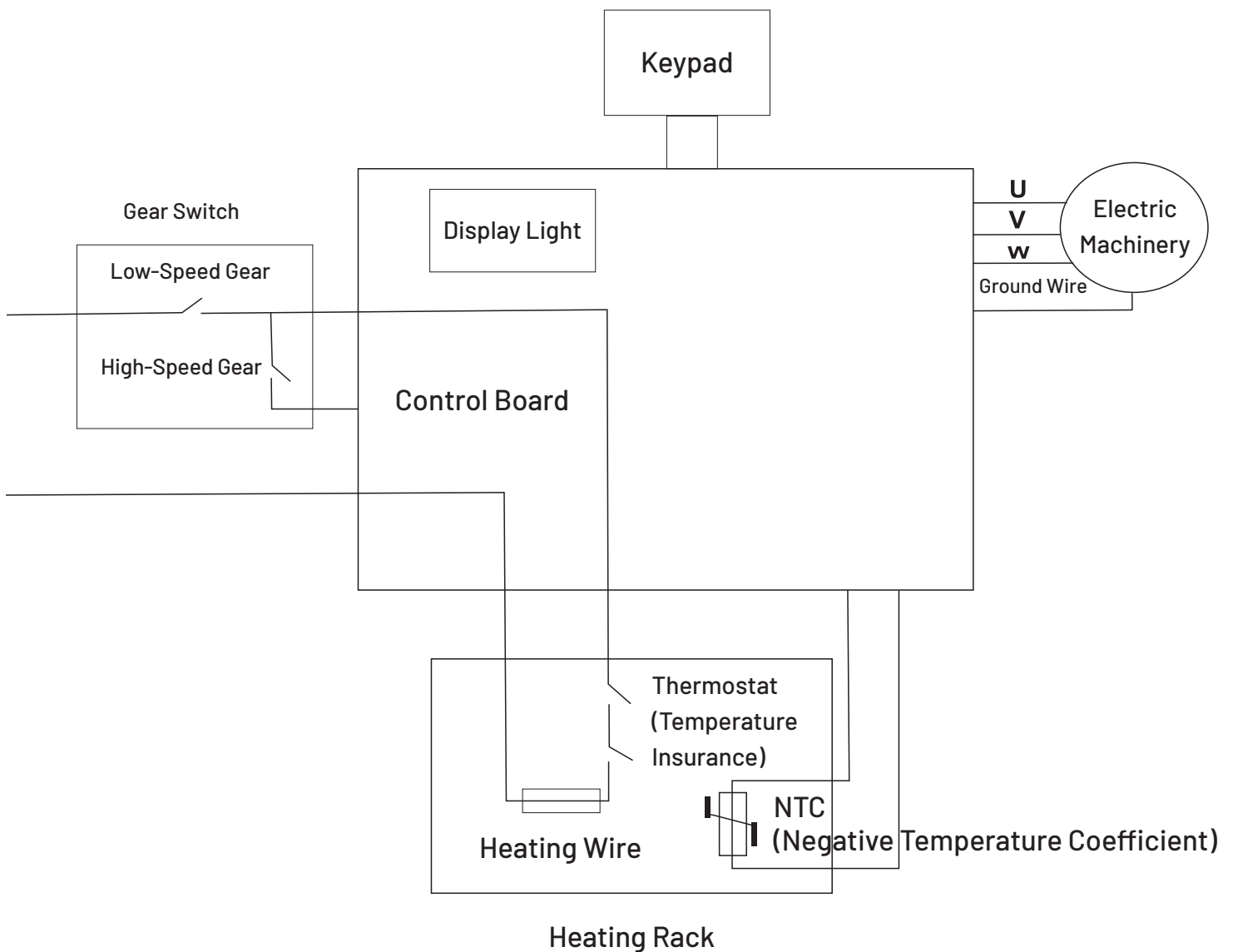
Operating Instructions

- 1. Power Switch:** Press the power switch once to activate the default low wind speed with cold air. Press it again to switch to high wind speed with cold air (factory setting).
- 2. Mode Button:** Press the mode button to switch to warm air while the unit is operating. Press it again to alternate between hot and cold air circulation.
- 3. Mode Switching:** The device cycles through the following modes: Cold Air → Warm Air → Hot Air → Warm Air → Cold Hot Air.
- 4. Mode Indicators:** Cold Air: Blue light, Warm Air: Yellow light, Hot Air: Red light, and Cold Hot Air: Flashing red and blue lights.

5. Cleaning Function: The wind direction reversal function helps remove dust accumulation inside the unit. To activate, press and hold the mode button for 3 seconds, and the motor will reverse airflow.

6. Memory Mode: The device will automatically default to the last used mode upon the next use.

Electrical Diagram



Specifications

Rated Power	1600W
Rated Voltage	AC 110-220V
Rated Frequency	50/60Hz
Motor Type	Brushless BLDC
Wind Speed	23m/s
Noise Level	≤76dB
Power Cord	UK 3-Pin Plug
Temperature Control	4 Settings
Product Weight	0.5kg
Product Size	6.8× 9 × 28cm
Cord Length	1.8m
Model Number	LFS149
Standard	GB4343.1-2018/GB17625.1-2022/ GB4706.1-2005/GB 4706.15-2008

Troubleshooting

If your hair dryer is not functioning properly, please check the following points before requesting repair.

1. Problem: The machine is not powered on.

Possible Cause: The machine is not powered on.

Solution: Ensure the power switch is in the "on" position and that the device is properly connected to a power source.

2. Problem: Abnormal input voltage.

Possible Cause: The input voltage is not compatible with the product's requirements.

Solution: Verify that the voltage specified on the product's model plate matches the local power supply voltage.

3. Problem: LED light is not on.

Possible Cause: The LED circuit board may be malfunctioning.

Solution: The LED circuit board may need to be inspected or replaced by a professional technician.

4. Problem: Pressing the button has no response.

Possible Cause: The button board might be malfunctioning.

Solution: Inspect or replace the button board by contacting after-sales customer service.

5. Problem: Redness of heating wire.

Possible Cause: There may be motor damage or a control board malfunction.

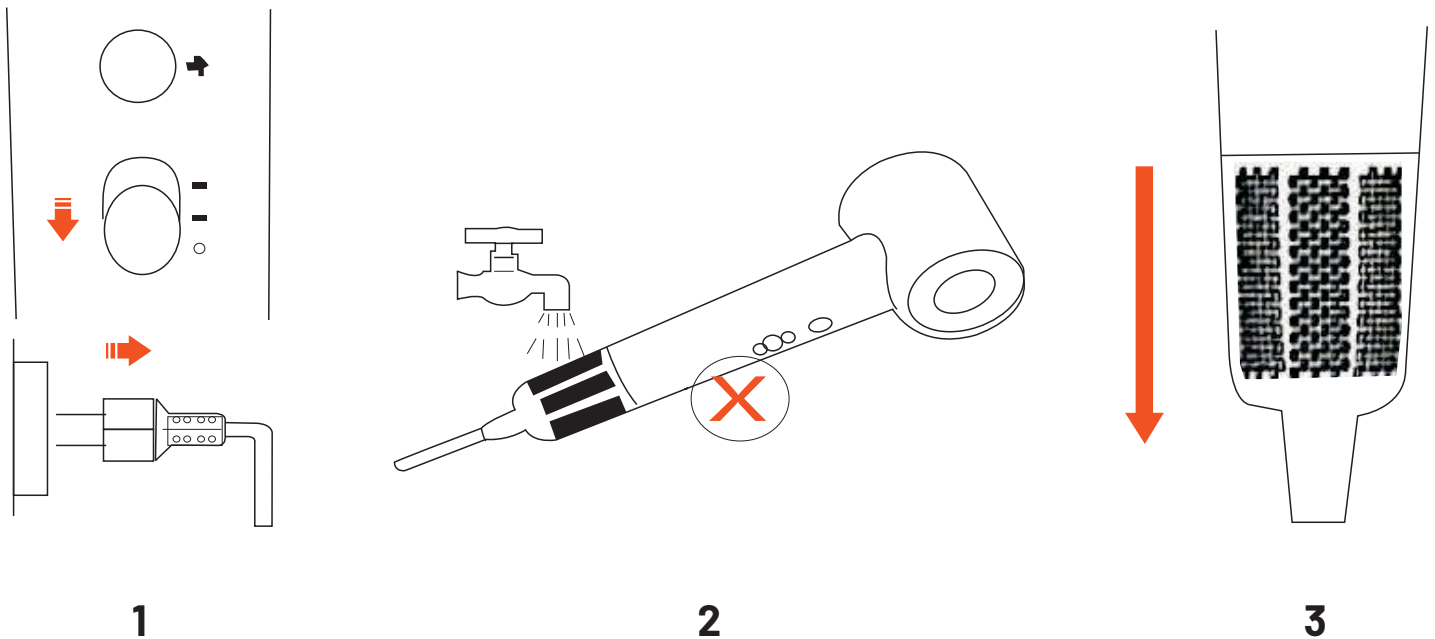
Solution: Contact after-sales customer service for assistance with motor or control board issues.

6. Problem: Power cord or plug overheating.

Possible Cause: The power cord is damaged, or the plug is loose.

Solution: Replace the power cord or ensure the plug is securely connected.

Maintenance



Before cleaning, always ensure the power is turned off and the power plug is unplugged from the socket. Regular maintenance is crucial to keep your device functioning properly. Use towels, cotton swabs, or a toothbrush to gently remove any attachments from the air inlet and outlet. Avoid using sharp objects or excessive force to prevent damage to the product. Refrain from using alcohol, nail polish remover, or detergents, as they can cause malfunction, breakage, or fading.

1. The filter screen should be regularly cleaned to prevent blockages from debris and to ensure smooth air intake. Before cleaning the filter, make sure the device is turned off and unplugged.

2. Do not clean the stainless steel filter screen with water, as this may cause malfunction. Use a flat, lint-free cloth, soft-bristled toothbrush, or similar tools

to remove debris from the air inlet filter and stainless steel screen. With the power on, press and hold the mode button for 3 seconds to reverse the wind direction and enter the cleaning and dust removal mode.

Material Contents

In accordance with the Management Measures for the Restriction of the Use of Hazardous Substances in Electrical and Electronic Products of the People's Republic of China, the following table lists the hazardous and toxic substances or elements that may be present in electrical and electronic products. The content of these substances has been carefully documented for compliance with environmental standards.

Component Name	Toxic and Harmful Substances or Elements					
	Lead (Pb)	Mercury (Hg)	Cadmium (Cd)	Hexavalent Chromium (Cr(VI))	Polybrominated Biphenyl (PBB)	Polybrominated Diphenyl Ether (PBDE)
Plastic Parts	○	○	○	○	○	○
Power Cord	○	○	○	○	○	○
Heating Components	○	○	○	○	○	○
Computer Control Components	X	○	○	○	○	○
Hardware Components	○	○	○	○	○	○
Motor Components	○	○	○	○	○	○
Enclosure	○	○	○	○	○	○

This table is prepared in accordance with the provisions of SJ/T 11364.

(O): The content of the hazardous substance in all homogeneous materials of the component is below the limit requirements specified in GB/T 26572.

(X): The content of the hazardous substance in at least one homogeneous material of the component exceeds the limit requirements specified in GB/T 26572.



Environmental Protection Usage Period of 10 Years

This period refers to the time during which the harmful substances contained in this product will not leak or mutate. Under normal use, as described in the product manual, the product will not cause significant environmental pollution or serious harm to personal safety or property.

This symbol indicates that the product is recyclable. After exceeding the expiration date or becoming irreparable, the product should not be discarded casually. It must be handed over to authorized recycling channels or qualified enterprises for the disposal of waste electrical and electronic products. For proper disposal, please refer to the relevant national or local regulations on the disposal of old electrical and electronic products.

Disposal

This product must not be disposed of as unsorted household waste. It is important to separate such waste for proper treatment and recycling, in compliance with local waste management regulations.

Warranty

Products that you buy directly from our **Porodo** website or shop come with a 24-month warranty.

When you buy **Porodo** products from any of our approved sellers, you only get a 12-month warranty. If you want to extend this warranty, go to our website at **porodo.net/warranty** and fill out the form with your information. Don't forget to upload a picture of the product too. After we've checked and accepted your request, we'll send you an email to confirm that your product's warranty has been extended.

For more info, please check:
porodo.net/warranty

Contact Us

If you have any questions about this Privacy Policy, please contact us at:

info@porodo.net

Website: **porodo.net**

Service Support: **support@porodo.net**

Instagram: **porodo**