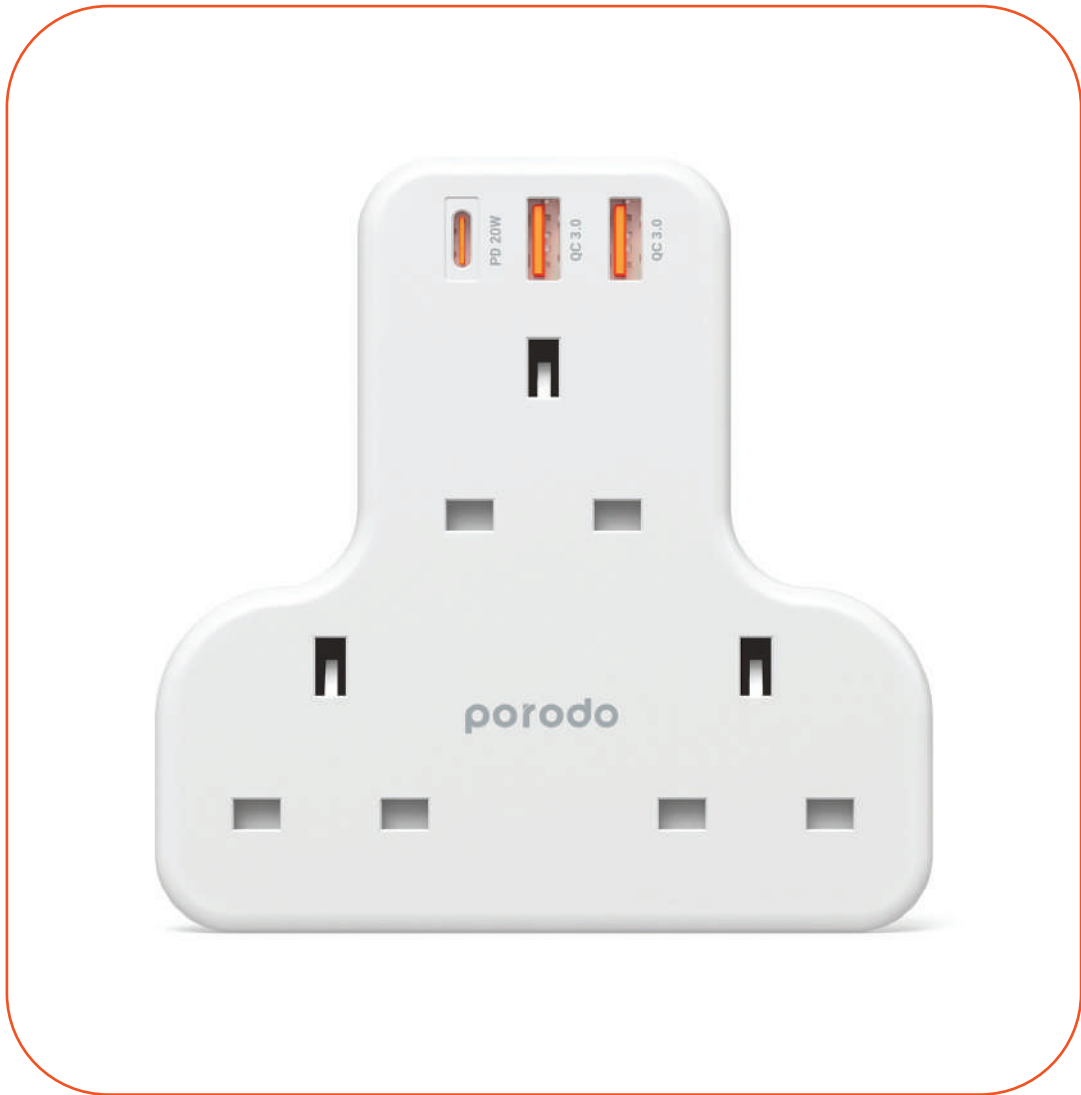


PORODO



Porodo

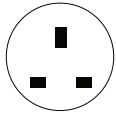
Multi-Port Wall Socket

SKU: PD-FWCH006

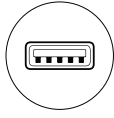
Table of Contents

Product Diagram	2
Features and Compatible Devices	3
Specifications and Dimensions	3
Warnings	4
Disposal	5
Warranty	5
Contact Us	5

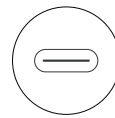
Product Diagram



UK Socket
UK Socket



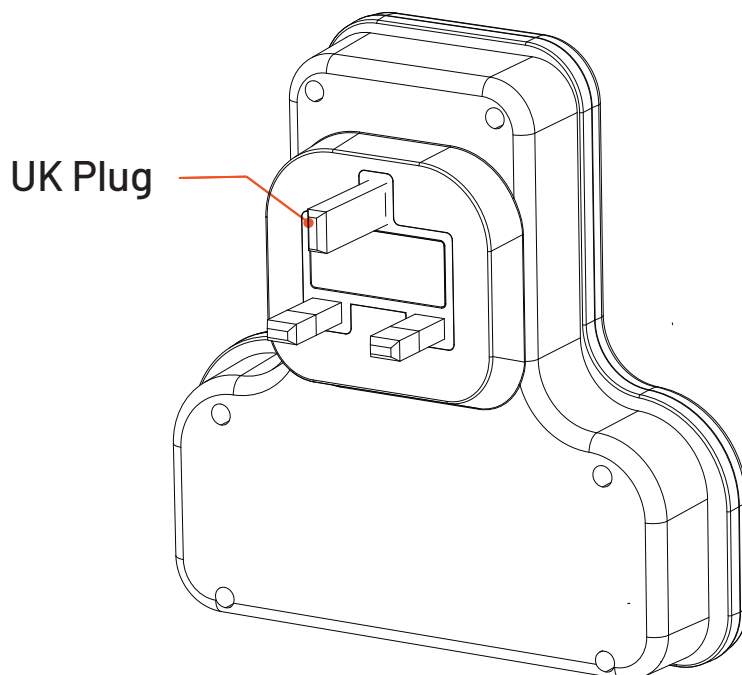
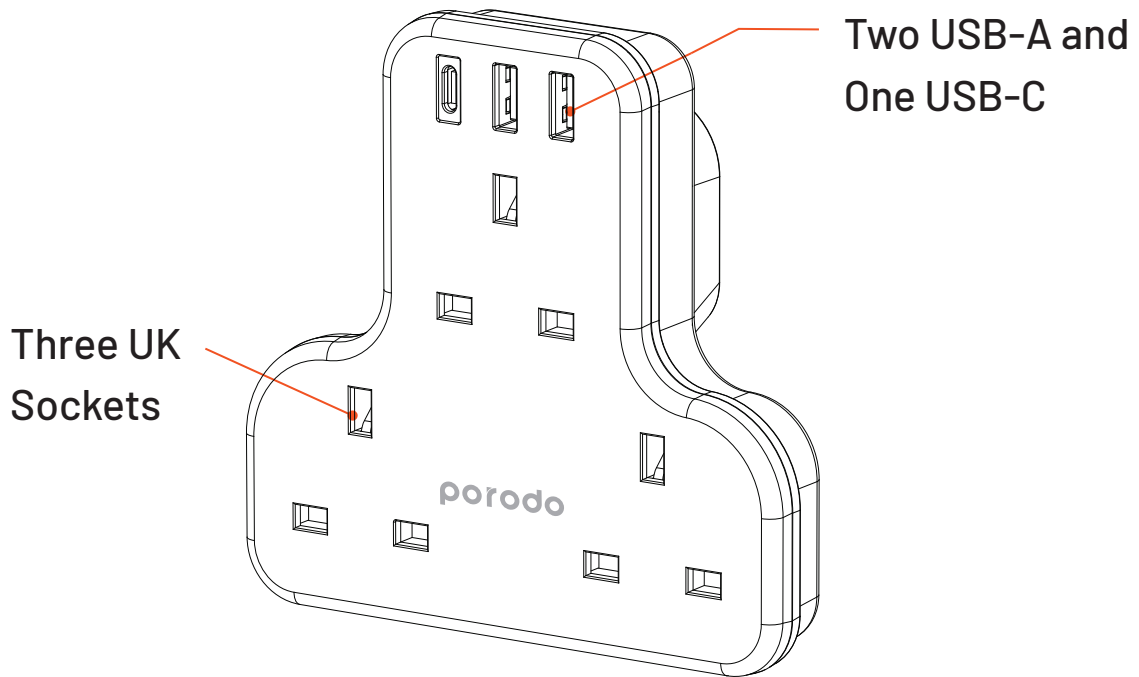
Two USB-A
Ports



USB-C
Port



PD and
QC3.0



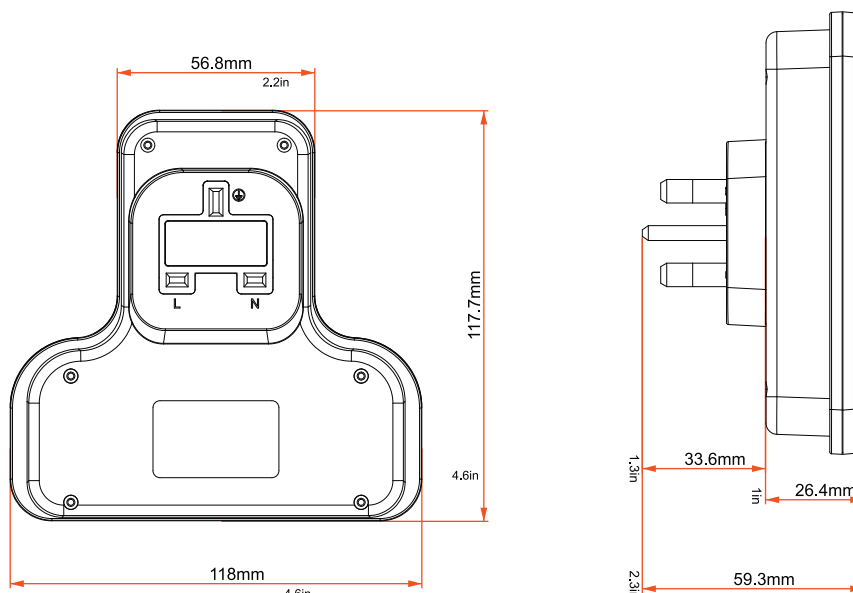
Features and Compatible Devices

1. This product is compatible with UK standard earthed sockets. Simply plug it into any UK socket to gain an extension to a UK plug socket, along with dual USB ports to avoid the need for multiple USB plug connections.
2. Featuring 2 USB-A ports and 1 USB-C port (PD 20W), this device is capable of charging various electronic devices such as smartphones, razors, cameras, power banks, and more, making it ideal for use on a bedside table or in a dormitory.
3. Constructed from PC UL94-V0 material, the shell is fireproof up to 1382°F (750°C). The insulating material provides additional protection against electric shock.

4. Application Scenarios

This device is suitable for use in various indoor settings, particularly in bedrooms, bathrooms, kitchens, offices, meeting rooms, and student dormitories. The product is suitable for most electronic devices up to 3250W at 250V. It can be used with a variety of electronic devices, including cameras, iPads, iPhones, MacBooks, Android smartphones, power banks, headsets, game consoles, shavers, GPS units, and more. Before use, please ensure that you check the safety datasheet or the data plate of your device.

Specifications and Dimensions



Input	250V / 50Hz 0.6A
Power Rating	3250W / 13A
USB-C Output	5V/3A, 9V/2.22A, 12V/1.67A 20W
USB-A Output	5V/3A, 9V/2.22A, 12V/1.67A 20W
USB Output sharing	5V/3A Max

Warnings

- 1.** To minimize the risk of fire or electric shock, avoid using the product in a humid environment.
- 2.** Ensure that the extender is placed in a location that allows for adequate ventilation. Do not cover it with any materials that could obstruct airflow and lead to overheating.
- 3.** Unplug the extender when it is not in use for an extended period of time.
- 4.** Do not plug high-power devices such as air conditioners or refrigerators into this extender, as they may exceed the rated power of 3250W.
- 5.** The extender supports a 250V input, but it does not convert voltage.
- 6.** Connect the device only to a grounded or ungrounded outlet, and ensure it is used indoors only.
- 7.** Do not disassemble or modify the extender. Any changes or modifications made to the product are not authorized by the manufacturer and may void the warranty.

Disposal

This product must not be disposed of as unsorted household waste. It is important to separate such waste for proper treatment and recycling, in compliance with local waste management regulations.

Warranty

Products that you buy directly from our **Porodo** website or shop come with a 24-month warranty.

When you buy **Porodo** products from any of our approved sellers, you only get a 12-month warranty. If you want to extend this warranty, go to our website at **porodo.net/warranty** and fill out the form with your information. Don't forget to upload a picture of the product too. After we've checked and accepted your request, we'll send you an email to confirm that your product's warranty has been extended.

For more info, please check:
porodo.net/warranty

Contact Us

If you have any questions about this Privacy Policy, please contact us at:

info@porodo.net

Website: **porodo.net**

Service Support: **support@porodo.net**

Instagram: **porodo**