



Porodo Soundtec

MINI VIBE BOX PORTABLE BLUETOOTH SPEAKER

SKU: PDWBT58BK

Table of Contents

Product Overview	2
Specifications	2
Setup Guide	3
Product Section	4
Product Function	5
Safety Precautions	6
Disposal	7
Warranty	8
Contact Us	8

Product Overview

The Porodo Soundtec Mini Vibe Box is a compact, portable Bluetooth speaker offering high-quality sound and easy connectivity. It supports Bluetooth 5.4, TF card playback, and FM radio, with a 10-meter range and up to 6 hours of playtime. Its simple two-button multifunction control allows easy management of music, volume, and lighting, making it ideal for on-the-go entertainment.

Specifications

Input	DC 5V/1A
Rated Power	5W
Battery Capacity	800mAh
Frequency Response	2.4GHz - 2.48GHz
Transmission Range	10m
Playtime	6H (At 70% Volume)
Charging Time	2H
Charging Interface	USB-C

Bluetooth Version	5.4
Product Size	4.6 x 10 x 10.7cm
Product Weight	240g
Model Number	PDWBTS8

Setup Guide

A. Connect and pair

1. Press and hold the power button for seconds

When the speaker is turned off, press and hold the power button for 2 seconds, and a power on prompt sound will automatically enter pairing search mode. At this time, the speaker can be detected by other devices.

2. Turn on your phone's Bluetooth to search for matches

Name: PD-WBT58

Bluetooth pairing successful or automatic reconnection on boot: Bluetooth pairing successful, or after the boot back connected successfully, there is a hint sound.

B. Use Bluetooth

1. Power on: Press and hold the power button for 2 seconds

When the speaker is turned off, press and hold the power button for 2 seconds, and a power on prompt sound will automatically enter pairing search mode. At this time, the speaker can be detected by other devices.

2. Power off: Long press the power button for 3 seconds

When the speaker is in the power on state, long press the power button for 3 seconds and there will be a prompt sound.

C. Bluetooth control

1. Short press the power button to answer. Short press the power button to hang up; Press and hold the power button for 1 second to reject the connection.

2. Triple click the knob key to switch to the previous track/radio station.

3. Press the M key to switch modes (BT/AUX) (TIFFM), and there is a corresponding mode prompt sound.

Bluetooth mode: Double clicking the M button will disconnect Bluetooth.

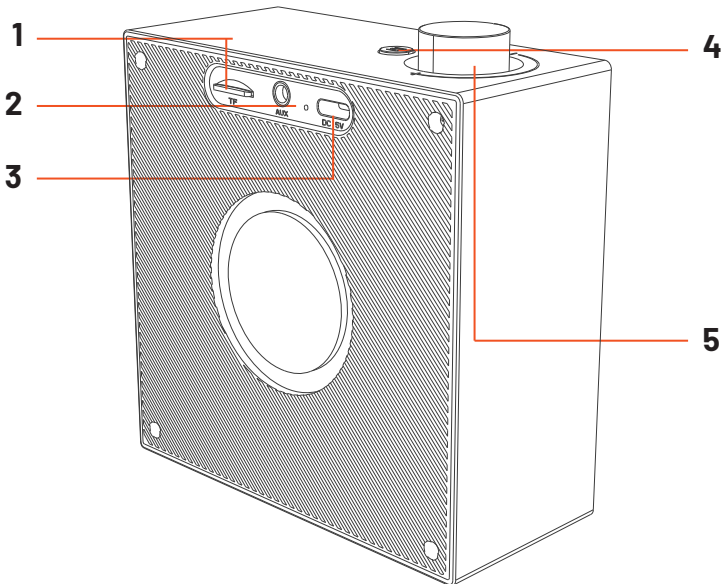
FM radio: Double clicking the M button to enter the search pairing mode.

4. Turn the knob clockwise to increase the volume

Double click the knob key to switch to the next track/radio station, Short press the power button to pause music; Short press the power button again to play music.

Rotate the knob counterclockwise to decrease the volume.

Product Sections



1. TF
2. AUX
3. DC 5V
4. TWS pairing: Long press the M key
Mode switching: Short press the M key
Bluetooth link disconnected: Double-click the M key
FM mode automatic search: Double-click the M key
5. Power on/off: Long press the knob key for 2 seconds to power on, long press the knob key for 3 seconds to power off
Play/Pause: Short press the knob key
Volume+: Turn the knob clockwise
Volume-: Rotate the knob counterclockwise

Product Function

1. TWS pairing

When two speakers are turned on, don't connect to any Bluetooth devices before TWS pairing.

Press and hold the M key for 2 seconds on either speaker to perform TWS pairing. After successful pairing, there will be a beep sound indicating successful pairing.

Turn on your Bluetooth devices and search for the pairing name of PD-WBT58, then tap to connect. After successfully connecting with Bluetooth, it can play songs from these speakers.

Press and hold the M key for 2 seconds (either one) to disconnect the TWS pairing.

2. Battery charging light

The red light remains on while charging; after fully charged, the red light goes out.

3. Bluetooth pairing

Press and hold the power button for two seconds to turn on this speaker. Turn on your Bluetooth devices and search for the pairing name of PD-WBT58, then tap to connect. After successfully connecting with Bluetooth, it can play songs from these speakers.

Press and hold the M key for 2 seconds (either one) to disconnect the TWS pairing.

4. Aux in Setting

Inserted an audio cable to the AUX IN JACK of the speaker and to the audio output socket on the external audio devices such as MP3 player, discman, etc. It will switch to AUX mode automatically or press the M button to switch to AUX MODE from the control panel.

5. TF card input

Insert TF card directly for playing.

6. Radio FM function

Power on this unit and switch to FM mode. Double clicking the M button to enter auto scan feature and automatic storage of radio stations.

Double clicking the M button to select the next radio station. Triple click the power button to previous radio station.

When using the FM function, an AUX cable must be inserted as an antenna.

Safety Precautions

- A.** Do not use abrasive detergents to clean this product.
- B.** Do not allow the product to be heated or near a fire source, such as a cooking stove.
- C.** Do not dispose of this product in fire to avoid explosions.
- D.** Do not expose this product to direct sunlight for long periods of time.
- E.** This product is not waterproof; keep it dry and safe from water.
- F.** Do not attempt to disassemble this product to make any modifications as it does not contain any repair components.

G. If you do not intend to use this product for a long time, store it in a dry environment, avoid extreme temperature and dust.

Disposal

This product must not be disposed of as unsorted household waste. It is important to separate such waste for proper treatment and recycling, in compliance with local waste management regulations.



Warranty

Products that you buy directly from our **Porodo** website or shop come with a 24-month warranty.

When you buy **Porodo** products from any of our approved sellers, you only get a 12-month warranty. If you want to extend this warranty, go to our website at **<https://www.porodo.net/warranty>** and fill out the form with your information. Don't forget to upload a picture of the product too. After we've checked and accepted your request, we'll send you an email to confirm that your product's warranty has been extended.

For more info, please check:

<https://www.porodo.net/warranty>

Contact Us

If you have any questions about this Privacy Policy, please contact us at:

info@porodo.net

Website: **<https://www.porodo.net/>**

Service Support: **support@porodo.net**

Instagram: **porodo**